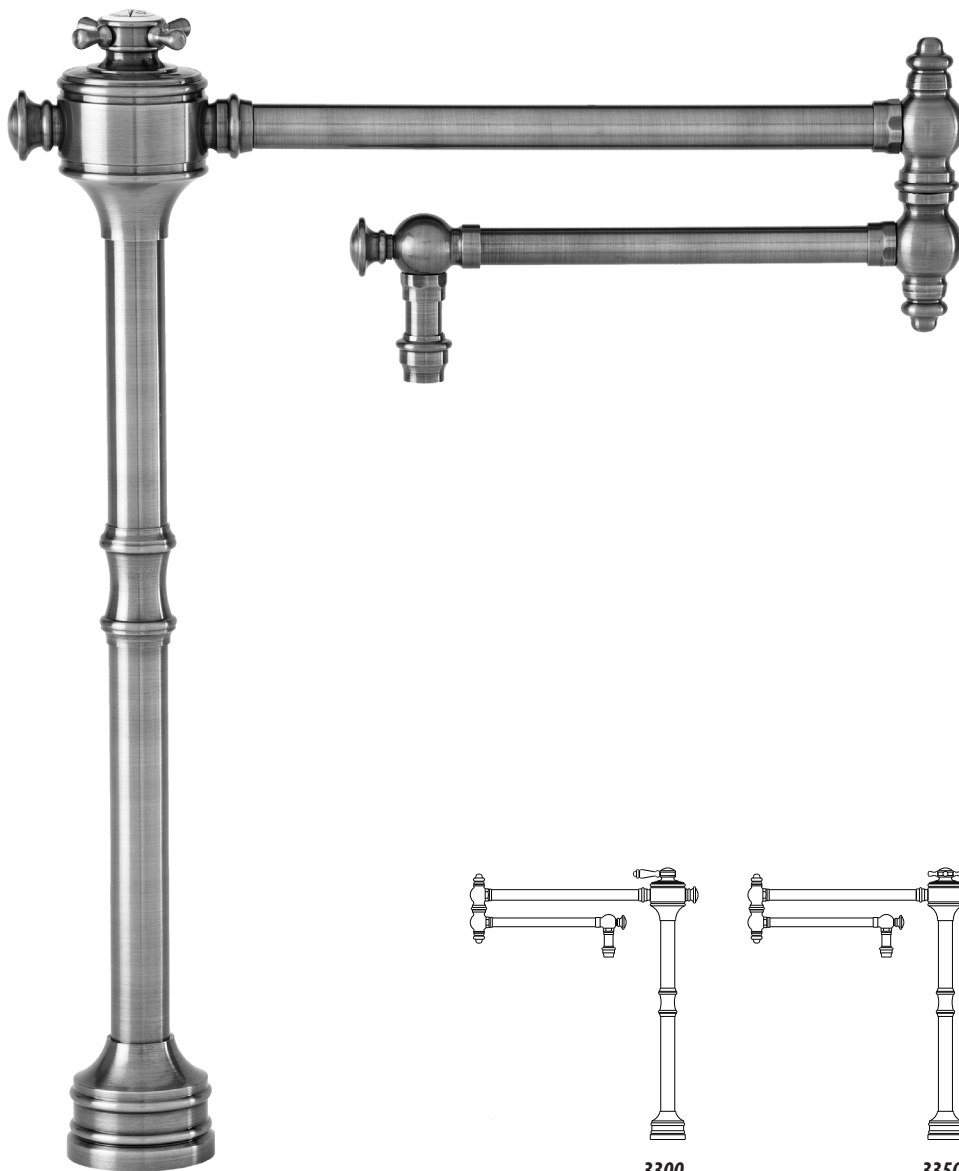


# COUNTER MOUNTED POTFILLER INSTALLATION INSTRUCTIONS

Model #s:  
3300, 3350, 3400



## BEFORE YOU BEGIN YOUR INSTALLATION:



Turn off water supply.



Observe all local plumbing codes.



Inspect waste and water supplies for signs of damage. Replace as necessary.



DO NOT use petroleum based products on this faucet.

### REQUIRED TOOLS:



1. Adjustable Wrench



2. Phillips Screwdriver

### PARTS INCLUDED:

*\*XX represents finish*

HK-GPK-XX\*  
HANDLE BUTTON KIT (TRADITIONAL ONLY)

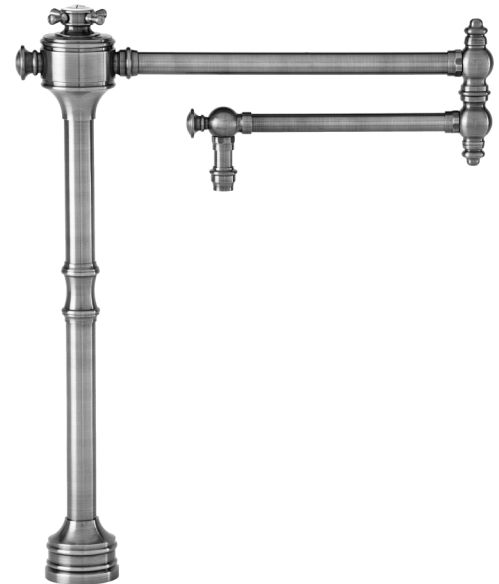
HK-USM1250  
UNDER SINK MOUNTING HARDWARE KIT (1-1/4")

## LIFETIME WARRANTY

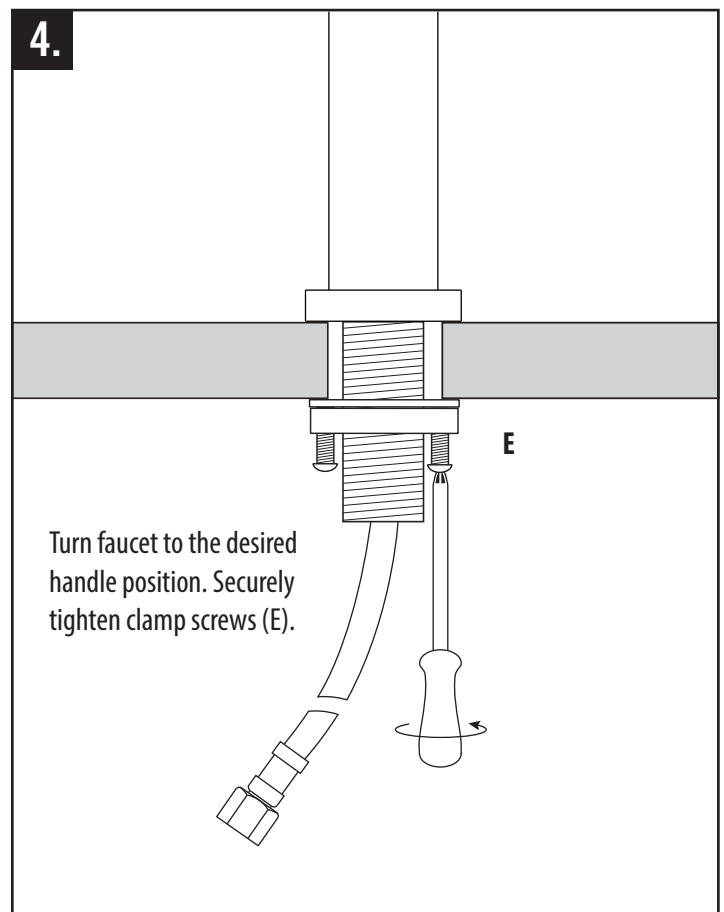
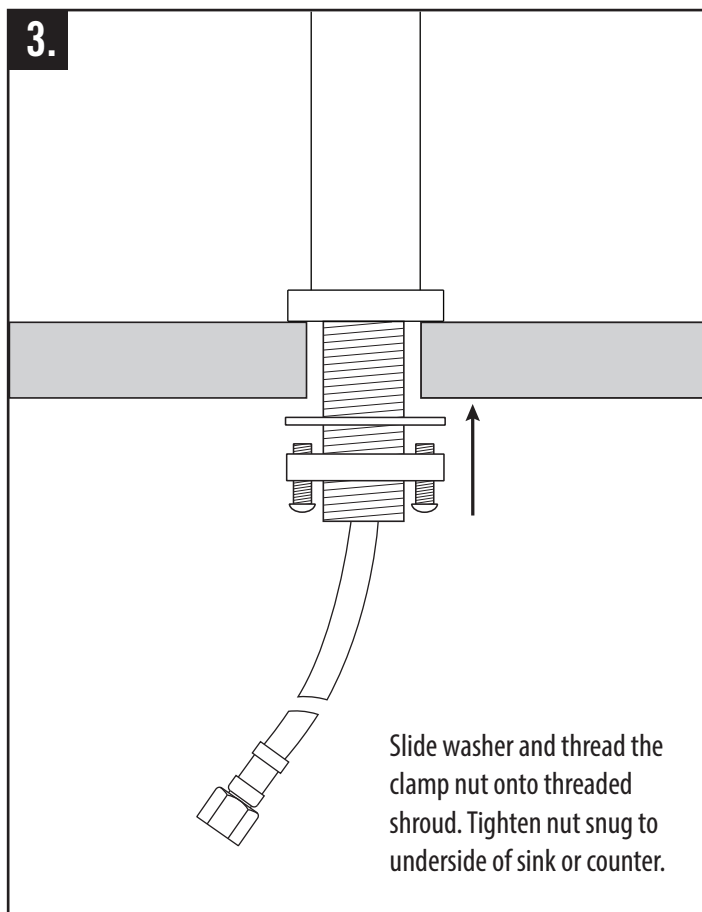
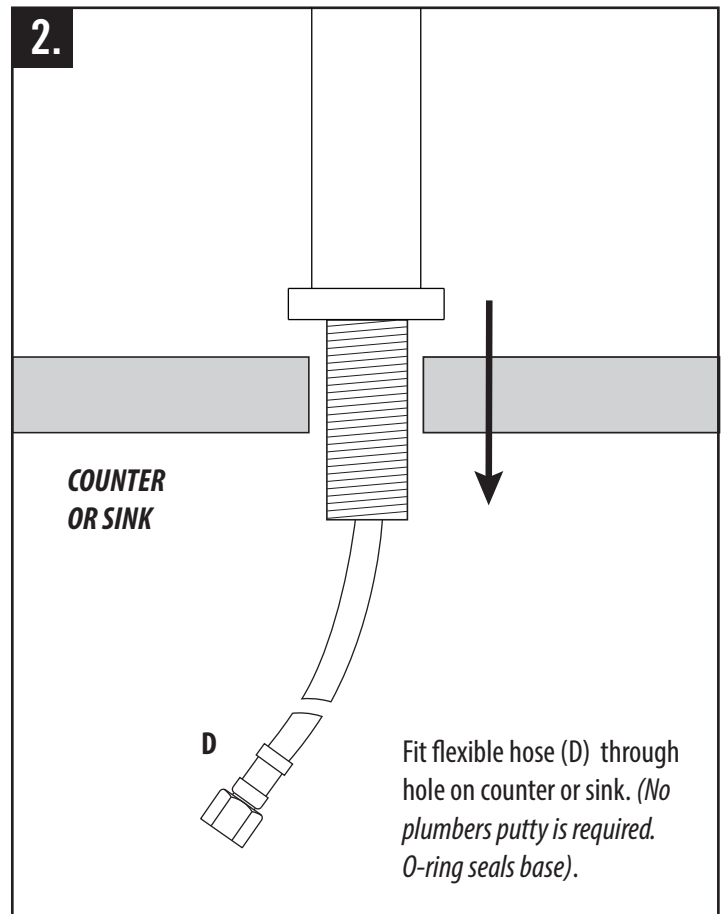
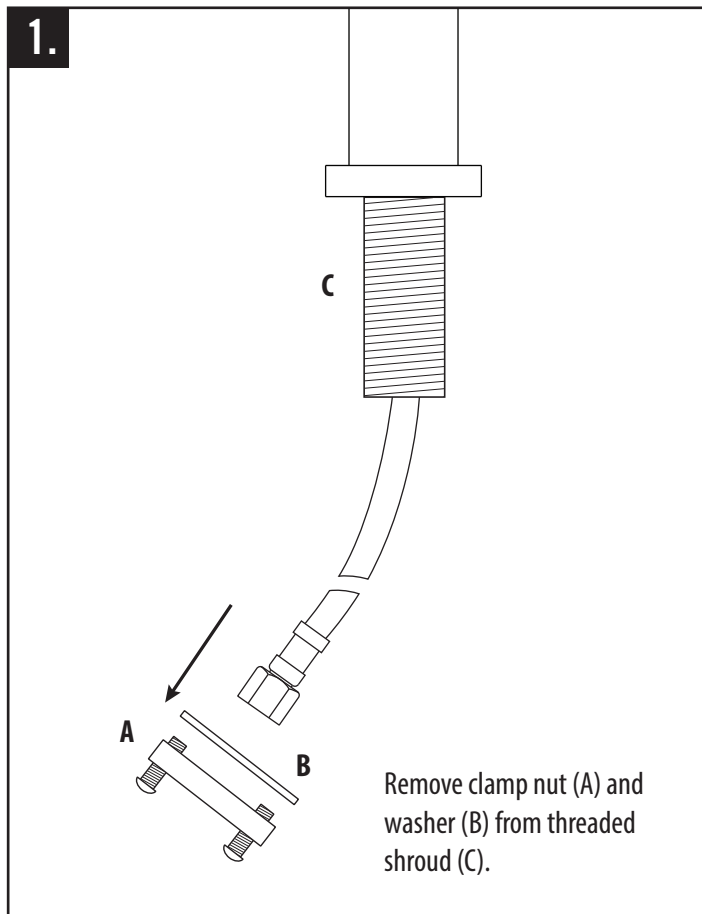
All Waterstone products manufactured by Waterstone carry a **Limited Lifetime Guarantee** against functional defect in material or workmanship in a residential application. Consult with an authorized Waterstone dealer for complete information about our warranty.

For any questions or concerns about your faucet's warranty, contact Waterstone.

Waterstone Faucets  
41180 Raintree Court • Murrieta, CA 92562  
1-888-304-0660  
[www.waterstoneco.com](http://www.waterstoneco.com)

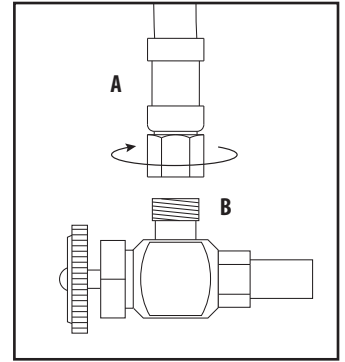


# COUNTER MOUNTED POTFILLER INSTALLATION

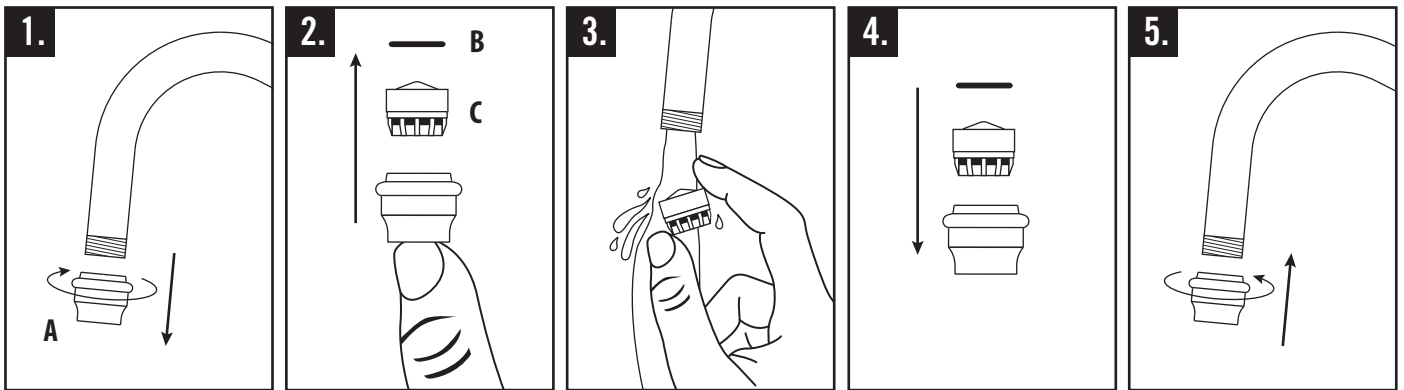


## CONNECTING SUPPLY HOSES

1. Before connecting supply hoses, flush supply stops to clear any debris. Place a bucket underneath stops and run water for 5 to 10 seconds. Turn water off.
2. Carefully position hot and cold supplies so they will not interfere with other hoses.
3. Connect supply hoses (A) to supply stops (B). **DO NOT** use teflon tape or plumbers putty. Turn water back on and check for leaks.



## CLEANING AERATOR AND DEBRIS SCREEN

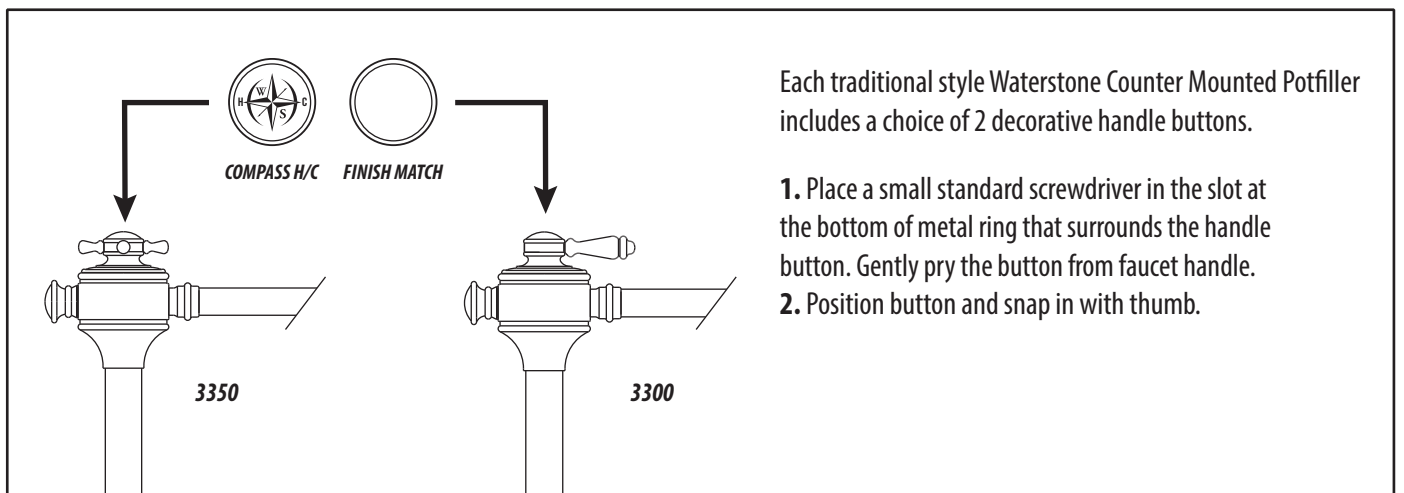


Depending on quality of your household water, the aerator and debris screen may become clogged. We recommend cleaning one week after installation, then a minimum of once of year thereafter. To remove the debris, follow the steps below.

1. Gently unscrew and remove spout tip (A) by hand.
2. Remove O-ring (B). To remove aerator (C), push with finger from bottom.
3. Thoroughly rinse aerator with water until all debris is removed.
4. Place aerator, then O-ring back into spout tip.
5. Gently screw spout tip, by hand, snugly back onto spout.

## OPTIONAL DECORATIVE BUTTON

(TRADITIONAL ONLY)



41180 Raintree Court • Murrieta, CA 92562  
1-888-304-0660 • 951-304-0520 • www.waterstoneco.com

VEN-038-CMPF Rev. C