



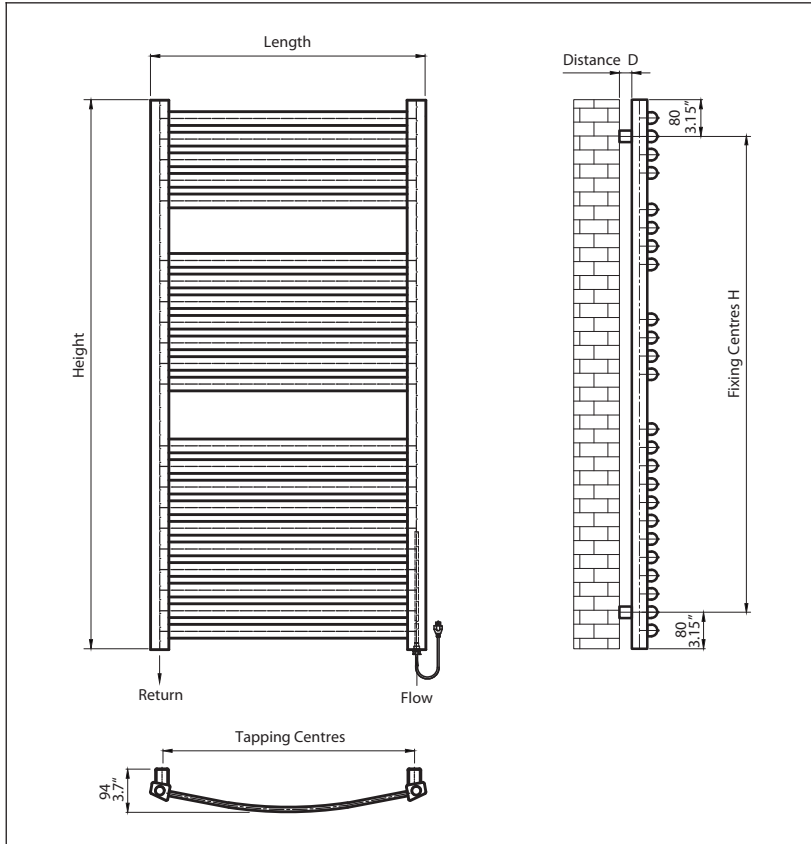
Towel Warmers

CHICAGO

Towel warmer

Chauffe-serviettes

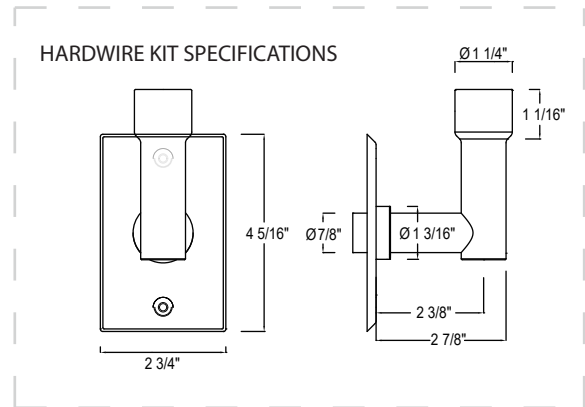
Calentador de toallas



- All the dimensions are shown in millimetres/inch
- Horizontal Tube 30mmx10mm
- Vertical Tube 40mmx(30mm+25mm)
- Bracket length - 27mm
- Rated 100,150,300 or 400W dependent on model
- Suitable for 120V supply, three wire connection
- The electric towel rails conform to: the requirements of UL499 CSA C22.2 No.60335-1 and E60335-2-43

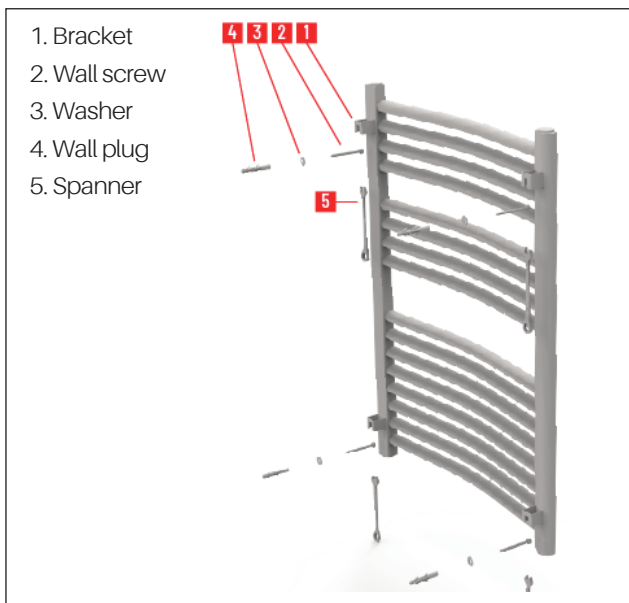
Please Note:

- All towel warmers contain a factory - filled glycol mixture
- Not suitable for use on domestic hot water system
- Before starting, ensure situation and orientation



Vernon	Weight (KG)	Tapping Centres (mm)/inch	Fixing Centres (H) (mm)/inch	Distance (D) (mm)/inch	Height (mm)/inch	Length (mm)/inch
ORD-0800500	12.7	450/17.72"	640/25.2"	29/1.14"	800/31.5"	500/19.68"
ORD-1200600	18.9	550/21.65"	1040/40.94"	29/1.14"	1200/47.24"	600/23.62"

Installation:



1. Bracket
2. Wall screw
3. Washer
4. Wall plug
5. Spanner

Step 1: Select the desired mounting position, make sure the wall is adequate to take the fixing points of the rail i.e anchor points must be securely attached to a stud or masonry.

Step 2: Loosely screw the wall support into the wall using the wall screw and washer. Use wall plug if you are fixing into masonry. Do not tighten fully.

Step 3: Manoeuvre the rail back onto the bracket and tighten with the grub screw.

Cleaning:

- Do not use any abrasive or chemical cleaners to clean the radiators as this will cause damage to the surface finish. Please use warm water and a damp cloth.
- Do not clean when hot.



Intertek