

**Features**

- Carved beveled drawer detail
- Tapered leg design
- Top drawers are false front
- Middle drawers are plumbing drawers
- Bottom drawers are full drawers
- Removable glass drawer dividers included

**Materials & Construction**

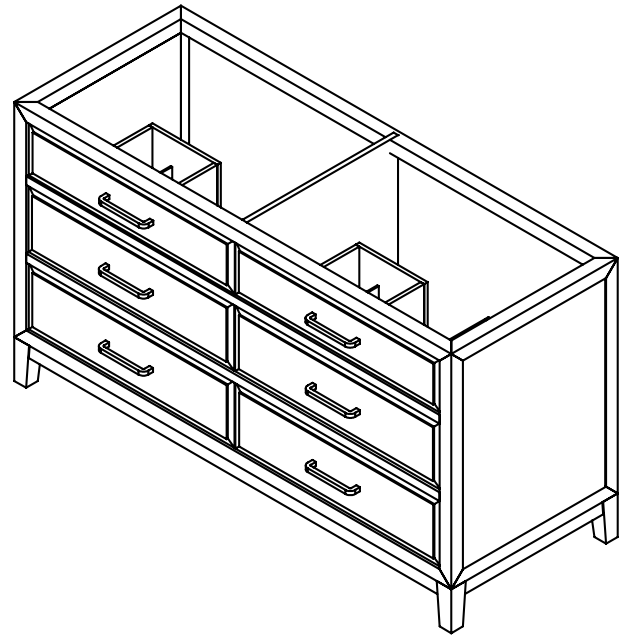
- Solid wood and veneer construction
- Full plywood back panel, no cutout
- Dovetailed drawers
- Pre-installed solid stainless steel hardware
- Blum undermount full extension slow close slides
- Durable, moisture resistant polyurethane finish
- Adjustable leveling feet

**Options**

- Available in:  
 CVCH6020369, Light Gray Oak paired with Brushed Pewter  
 CVCH6021068, Weather Oak Drift paired with Iron Black
- Coordinating engineered stone tops:  
 TA60UCO93-8CS5  
 TA60UCO95-8CS5  
 TA60UCO96-8CS5  
 TA60UCO97-8CS5  
 TA60UCO98-8CS5  
 TA60UCO99-8CS5  
 TA60UCO100-8CS5  
 TA60UCO101-8CS5
- Coordinating mirrors available

**Dimensions**

Width: 59"  
 Height: 32-5/8"  
 Depth: 22-1/2"



**Model Number Key**

PRODUCT LINE	CATEGORY	COLLECTION	WIDTH	FINISH OPTIONS	OPTIONS
C = Craft Series	V = Vanity	CH = Chestnut	60"	(See above)	(See above)

Chestnut Hill 60" Vanity CVCH60

