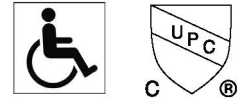


Features

- Solid brass construction
- ADA compliant contemporary lever handles
- 9" (22.9 cm) spout length
- 3/4" NPT spout inlet fitting (1/2" NPT bushing included)
- Intended for use with Newport Brass rough valve as specified (Required Accessory)
- Rough valve incorporates a brass valve body assembly
- Rough valve incorporates quarter-turn washerless ceramic disc valve cartridges

Wall-Mounted Tub Trim

3-2545



Codes / Standards Compliance

Meets or exceeds the following at date of manufacture:

- ASME A112.18.1/CSA B125.1
- IAPMO/cUPC
- IPC
- ADA
- ICC/ANSI A117.1
- All applicable US Federal and State material regulations

Colors / Finishes

- 10B: Oil Rubbed Bronze
- 15: Polished Nickel
- 15S: Satin Nickel - PVD
- 26: Polished Chrome
- Other: Refer to the Newport Brass catalog for additional color/finish options.

Specified Model

Model	Description	Colors Finishes				
3-2545	Wall-Mounted Tub Trim	<input type="checkbox"/> 10B	<input type="checkbox"/> 15	<input type="checkbox"/> 15S	<input type="checkbox"/> 26	<input type="checkbox"/> Other

Application	Tub Only Valve*
Description	2-Cartridge Assembly
Inlet/Outlet	1/2"
Part Number	1-500
Image	

*Plumbing code restrictions prohibit the use of the 1-500 for showers unless the 1-535 (Remote BP Valve) is installed upstream of the 1-500.

Product Specification Add "Color / Finish" suffix to Model number, below.

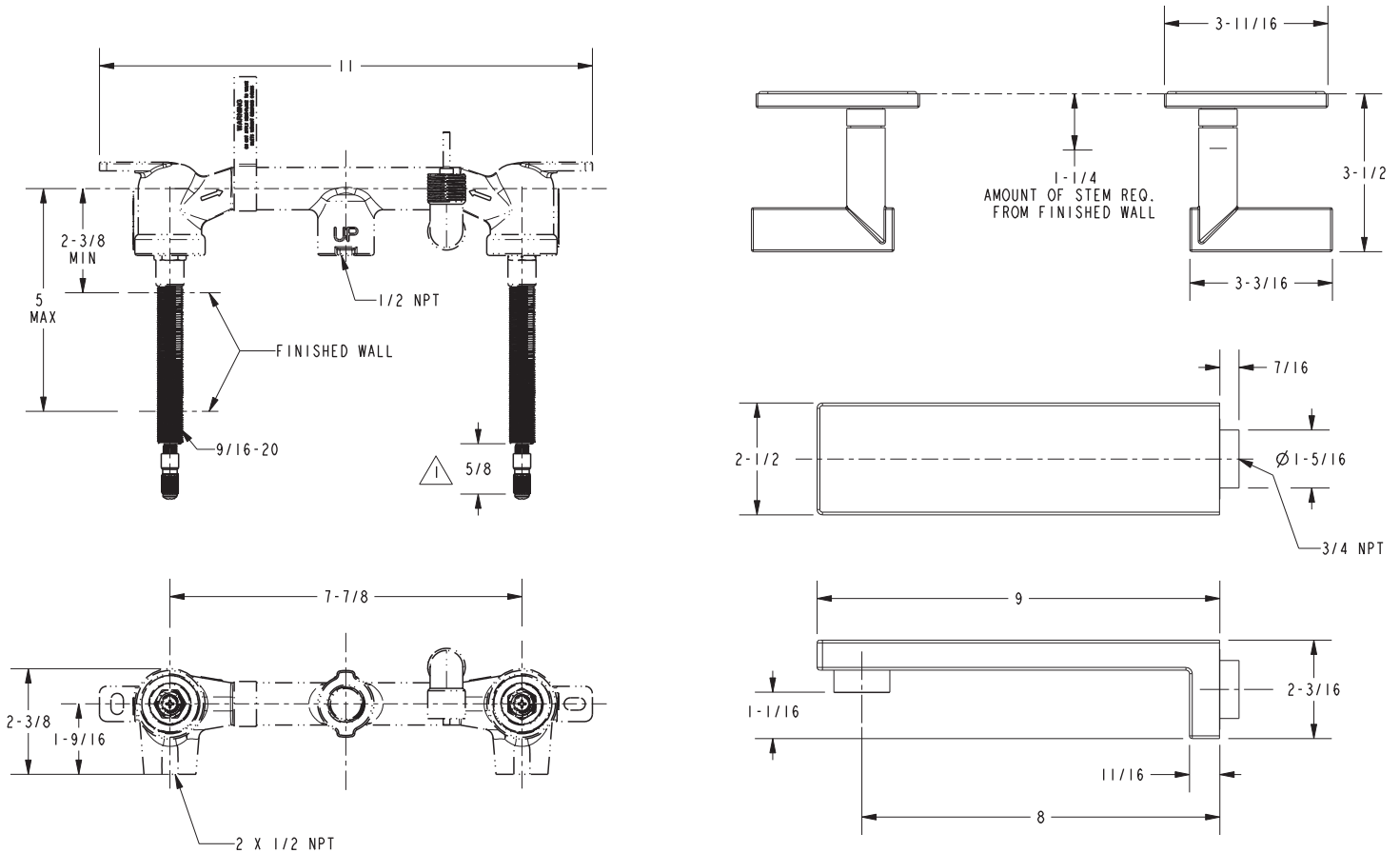
The Wall-Mounted Tub Trim shall be made of solid brass construction. Wall-Mounted Tub Trim shall include ADA compliant lever handles and a 9" (22.9 cm) tub spout that incorporates a 3/4" NPT inlet fitting (adaptable to 1/2" NPT via included adapter). Wall-Mounted Tub Trim shall be Newport Brass Model 3-2545/____ and Newport Brass rough valve shall be 1-500.

3-2545

PRODUCT DIMENSIONS *(Units are in inches)*

NOTES:

⚠ CUT ALL-THREAD 5/8" SHORTER THAN STEM.



Metro Wall-Mounted Tub Trim 3-2545