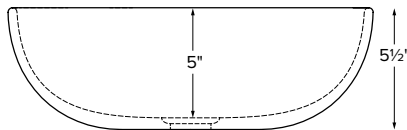
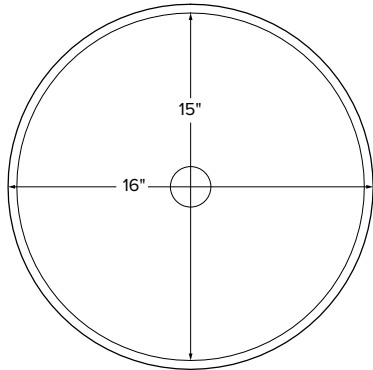


Luna 2



Luna 2 shown with a Rolled Rim

MODEL 721
16" x 5.5"
VESSEL STYLE
<b>SculptureStone®</b>
14 lbs / 6 kg



Vessel style sink installs on top of the vanity.  
 Flat rim model is 1/2" shorter on both inside and outside than rolled rim model (shown above).  
 Cut-out for drain installation required.

**Sink Options and Pricing**

**Part #:** MTCS721F (Flat Rim) **\$835** MTCS721R (Rolled Rim) **\$835**

**Standard Color** White, matte finish  
**Biscuit Color Upgrade** (SSBISNK) **\$120** matte finish  
 Additional material colors available for projects only. Please call MTI.

**Hand-Polished Deep Gloss Finish Upcharge** (SSGLOSSNK2) **\$530**  
 For White or Biscuit

**Exterior Color \$340 for Flat Rim only** (SSCOLSG) Gloss (SSCOLSM) Matte  
 Must specify color code:  
 Sapphire Blue (SB), Blue Lagoon (BL), Terracotta (TC),  
 Onyx (OX), Stratus Gray (TG), Stormgray (SG)

**Quick Ship** (QSPRI3) **\$255** reduces lead time  
 Please call for availability.

**Options and Accessories**

**Drain Kits**

**Finger Touch Drain Without Overflow**

Chrome (DKFGCN) **\$185**, Brushed Nickel (DKFGBNN) **\$190**

**Grid Drain Without Overflow**

Chrome (DKGDCN) **\$115**, Brushed Nickel (DKGDBNN) **\$180**

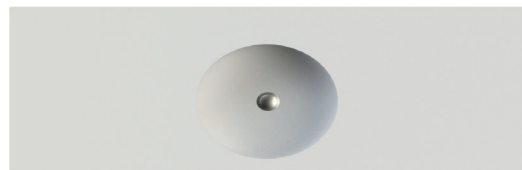
**Fixed Drain Without Overflow**

Chrome (DKFDC) **\$300**



**ORDERING AND INSTALLATION**

- 1.5" drain opening
- One-piece construction
- Non-porous, stain-, mold- and mildew-resistant SculptureStone®
- Material is approximately 70% organic
- Five-Year Limited Residential Warranty



Also available, Luna Counter-Sink 2, featuring custom-size countertop with integrated bowl. Offered in a single or double bowl configuration.

• Before discarding packaging, check for accessories that may be inside.  
 • All product measurements are ±1/2".  
 • Specifications and configurations are subject to change without notice.  
 • Measurements herein supersede all others published prior to publication date below.

