



Buy it for looks. Buy it for life.®

Specifications

DESCRIPTION

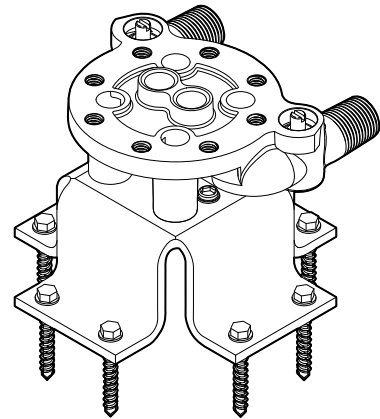
- Metal construction
- 1/2" CC/IPS type connections with 1/4 turn stops
- Includes mounting bracket, manifold, and mounting screws

OPERATION

- Expandable mounting bracket for joists between 12" and 24" apart

WARRANTY

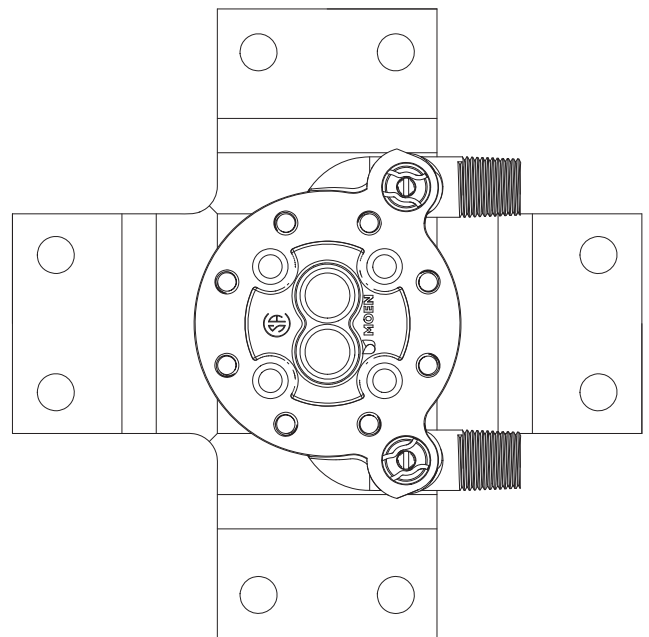
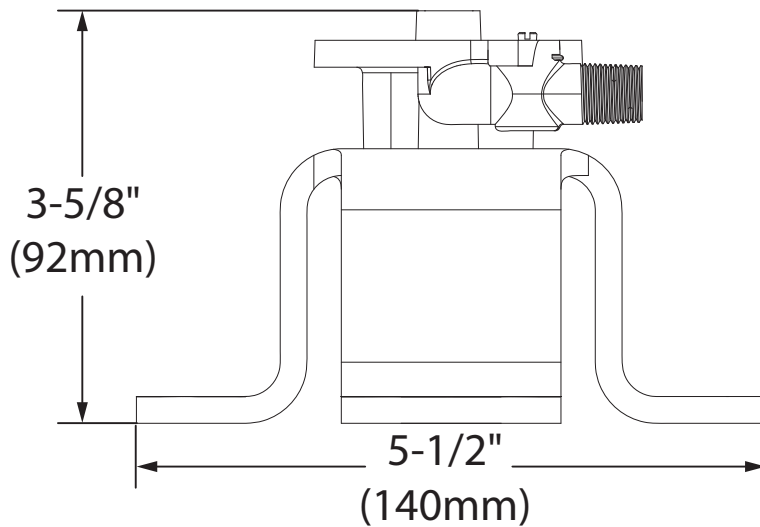
- Lifetime limited warranty against leaks, drips and finish defects to the original consumer purchaser
- 5 year warranty if used in commercial installations



M-PACT™
Single Riser Floor Mount
Tub Filler For Concrete Rough-In

Model: TS50110

For use with S93005 series



CRITICAL DIMENSIONS

(DO NOT SCALE)

FOR MORE INFORMATION CALL: 1-800-BUY-MOEN

www.moen.com