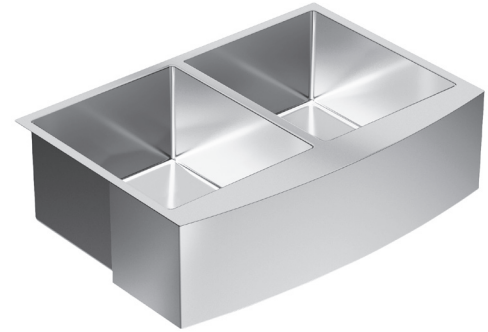


Model Number	Faucet Holes	Depth-Inches	Drain Placement
G18220	N/A	9"	Rear (Center)



SINK DESCRIPTION

- 1800 Series double bowl undermount sink
- 18 gauge stainless steel, brushed finish
- Apron front
- Mounting brackets included, no other hardware included
- SoundSHIELD™ sound absorbing system

WARRANTY

- Lifetime limited warranty to the original homeowner
- 10 year limited warranty when used in a Multi-family installation
- 5 year limited warranty when used in a Commercial installation
- Visit www.moen.com/customer-support/warranty for complete details and limitations

SINK DIMENSIONS

- Overall: 30" x 21"
- Left Bowl: 13-5/8" x 16-5/8"
- Right Bowl: 13-5/8" x 16-5/8"
- Drain Size: 3-5/8"

CUT OUT DIMENSIONS

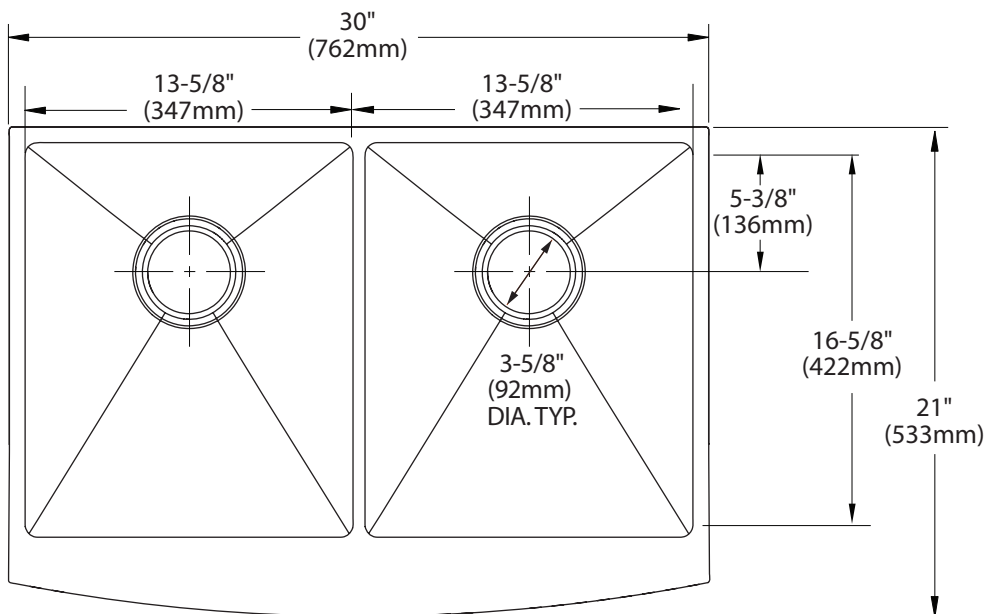
- Cut out template included with the sink
- Template ordering number 22515

STANDARDS

- Third party certified to meet ASME A112.19.3/CSA B45.4 and all applicable specifications referenced therein

CRITICAL DIMENSIONS

(DO NOT SCALE)



Installation Detail

