

Karis™ Technical Specification

4 Piece Bath Accessory Kit

BH1293

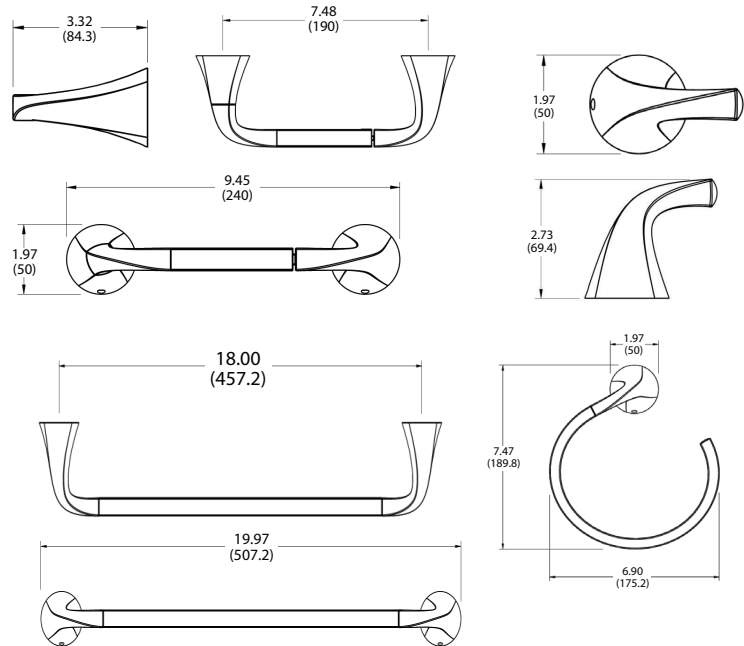
Stock Numbers:

- BH1293CH – Pivoting Paper Holder, Towel Ring, Robe Hook, 18" Towel Bar**
Chrome
- BH1293BN – Pivoting Paper Holder, Towel Ring, Robe Hook, 18" Towel Bar**
Brushed Nickel
- BH1293BL – Pivoting Paper Holder, Towel Ring, Robe Hook, 18" Towel Bar**
Matte Black

Materials:

Pivoting Paper Holder, Towel Ring, Robe Hook & 18" Towel Bar are constructed of zinc.

Dimensions:



Installation Instructions:

Tools Required: Phillips screwdriver, drill, 1/4" drill bit, hammer, level, tape
Hardware Kit Contents: 2 anchors, 1 hex wrench.

Note: Directions below are for installation into drywall. If installing product into a stud, use the wood screws only.

- 1) Remove mounting posts from the product assemblies by loosening each setscrew.
- 2) Position the mounting plate on the wall in the desired location and mark holes at the Horizontal screw location on the template if installing into drywall or vertical screw location if installing into a stud.
- 3) Drill 1/4" pilot holes in marked locations.
- 4) Lightly tap anchors until flush with the wall.
- 5) Place each mounting plate over anchors and insert screws through post into anchors.
- 6) Tighten screws.
- 7) Place posts over the mounting plates with setscrew facing down and tighten setscrew.

Cleaning Instructions:

To preserve the fine finish of this product, clean only with a soft damp cloth. Dry well. Do not use commercial or abrasive cleaners.

Stock Number: BH1293 Pivoting Paper Holder, Towel Ring, Robe Hook, 18" Towel Bar

25300 AL MOEN DRIVE • NORTH OLMSTED, OH 44070
CORPORATE HEADQUARTERS: (800) 321-8809 • FAX: (800) 848-6636
INTERNATIONAL: (440) 962-2000 • FAX: (440) 962-2726
CUSTOMER SERVICE (USA): 800-882-0116 • FAX: (888) 379-2720
WWW.MOEN.COM

© 2021 Moen Incorporated. Moen is a registered trademark and Karis is a trademark of Moen Incorporated. All rights reserved.

MOEN®