

Encore - 60D

Specification & Installation Guide

Features

- Free Standing 60D vanity: 34" (864mm)H x 22" (560mm)D x 59-5/8" (1515mm)W
- Furniture grade plywood layered with solid wood veneer and protected with several coats of polyurethane.
- Matching finish inside out.
- Four doors with soft-close hardware.
- Two interior drawer with full-extension soft-close hardware.
- Three center drawers with full-extension soft-close hardware.
- 5" center-to-center pre-drilled holes for handles.
- Handles furnished separately for field installation.
- Handle finish options: polished chrome (PC), brushed nickel (BN), polished nickel (PN), matte black (MB) and satin brass (SB)

Colors/Finishes

- Brandy (BR)
- Matte White (MW)
- Studio Grey (TG)

Top/Basin options

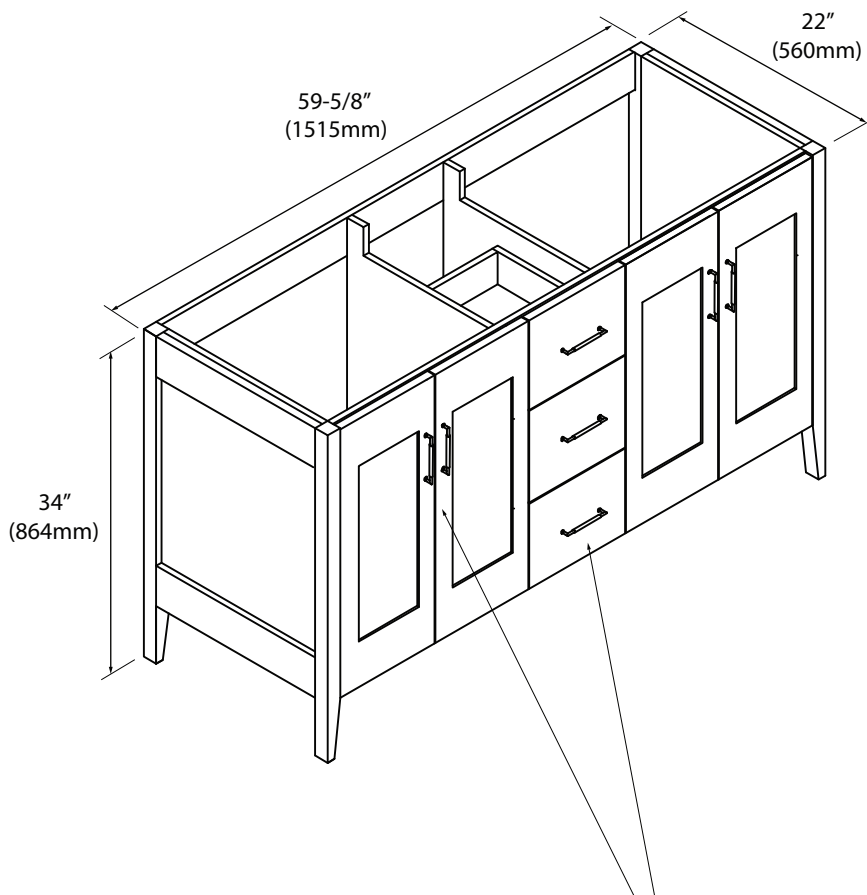
- Glossy White X-Stone 2"H top/basin
- Glossy White X-Stone 4-1/2" H Trough sink
- Quartzstone 3/4"H countertop with undermount ceramic basin
- Quartzstone 3"H countertop with undermount ceramic basin

Package Dimensions

64" x 26" x 36"

Weight

200 lbs/91 kgs.



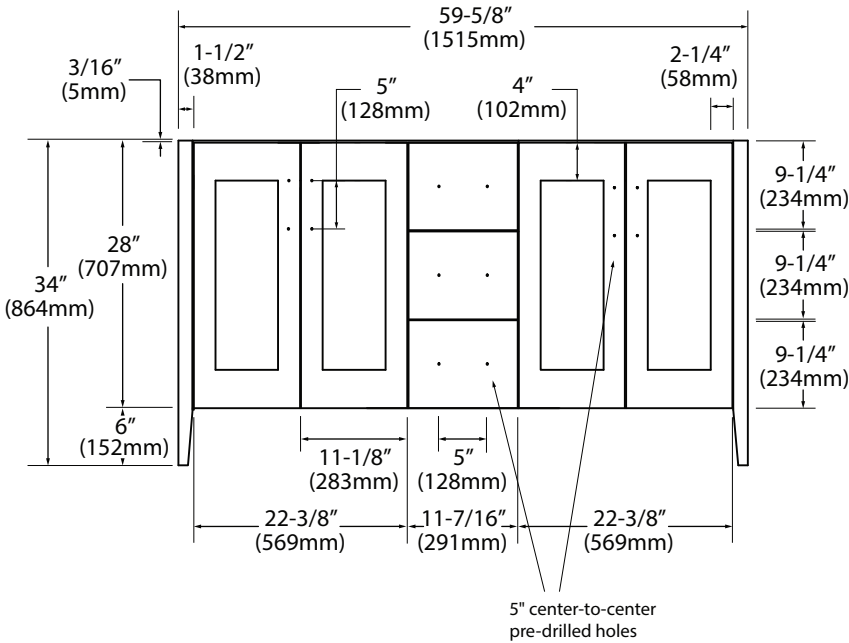
Handles furnished separately for field installation.
(5" center-to-center pre-drilled holes)



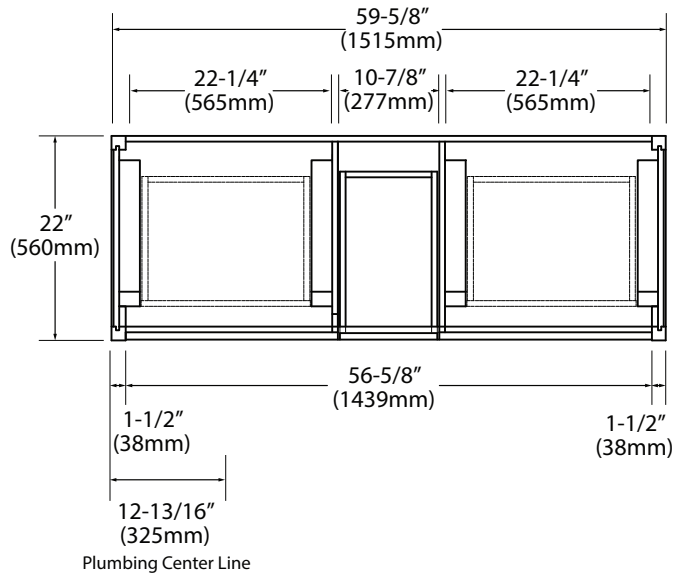
Encore - 60D

Specification & Installation Guide

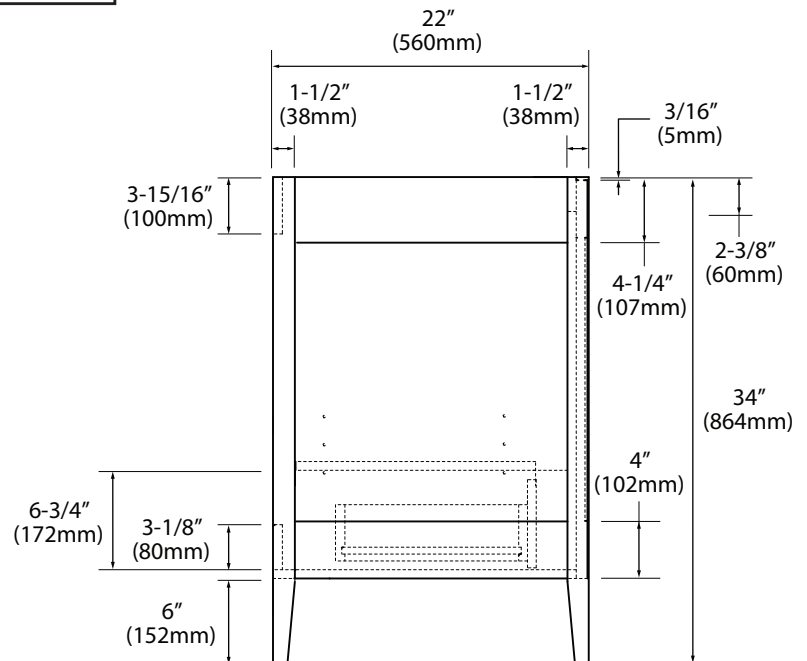
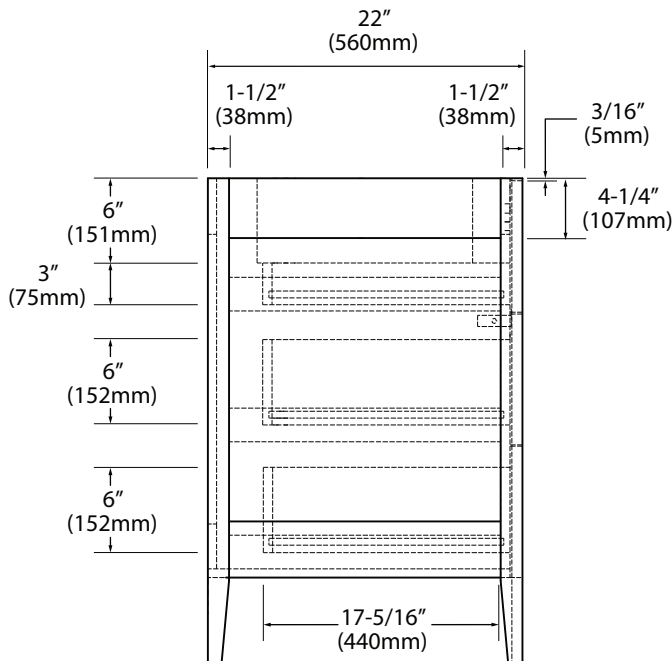
FRONT VIEW



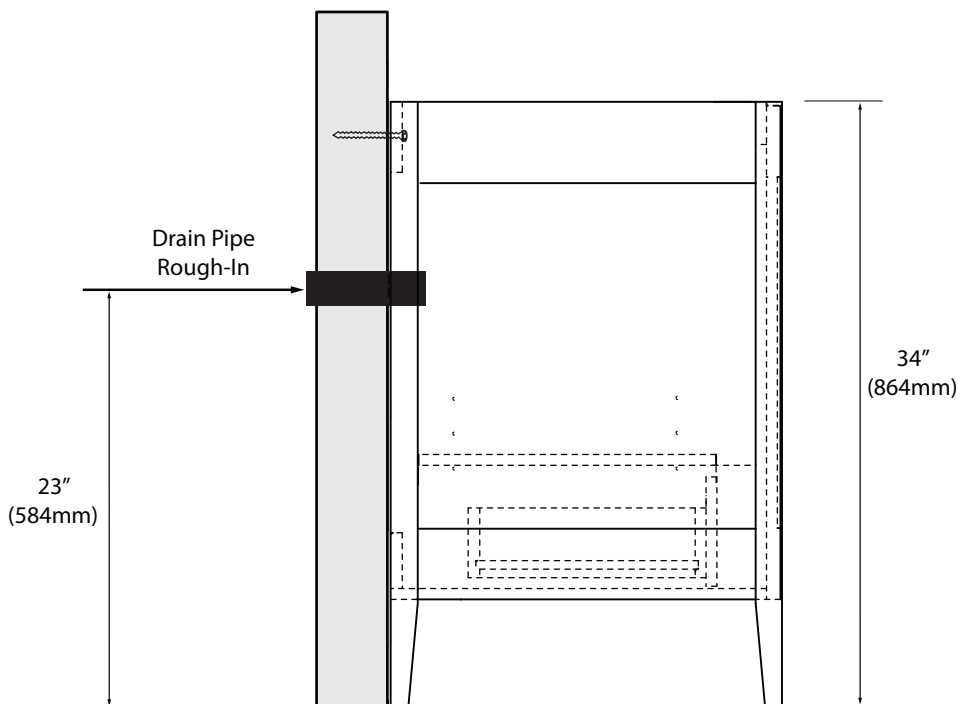
TOP VIEW



SIDE VIEWS



ROUGH-IN DIMENSIONS



Encore - 60D

Specification & Installation Guide

CABINET PLACEMENT & INSTALLATION - SECURE CABINET TO WALL

- 1) Level cabinet in position
- 2) Secure cabinet with screws in drywall studs
- 3) Install countertop with silicone

