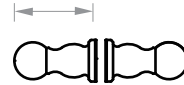




**FLORENCE  
COLLECTION  
DOUBLE SDH 24"**  
3227824

2 3/4"  
[71mm]



**PRODUCT NAME:** DOUBLE SHOWER  
DOOR HANDLE 24"

**PRODUCT CODE:** 3227824

**MATERIAL:** All-brass construction

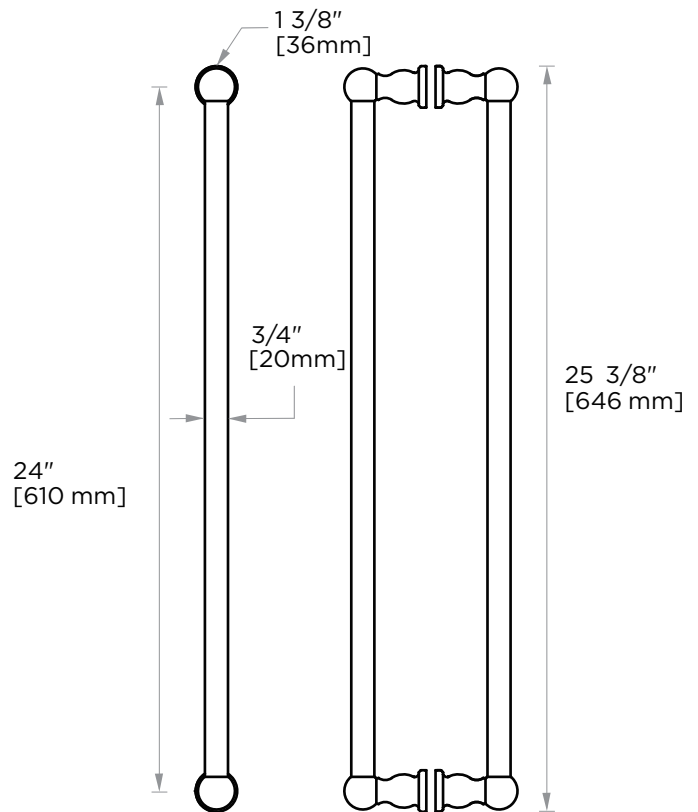
**KEY FEATURES:** Traditional design.  
Round and elegant style.

**STOCKED FINISHES:**

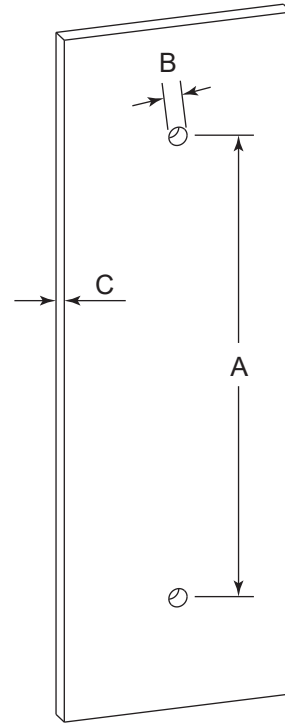
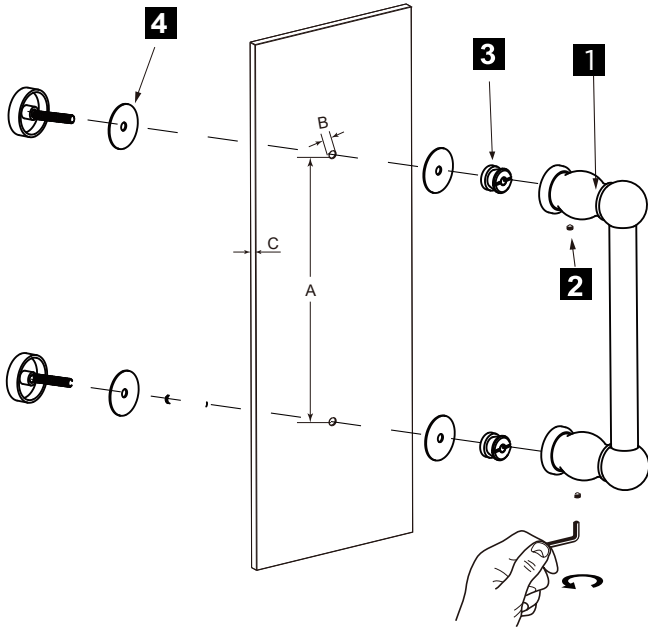
- Polished Chrome (99)
- Brushed Nickel (81)
- Polished Nickel (68)

**SPECIAL FINISHES AVAILABLE:** 26 options available.  
Please see our website for full list samples

**WARRANTY:**  
Lifetime Limited (Residential Use)  
One Year (Commercial Use)



NOTE: Dimensions and specifications are subject to change without notice.



### HANDLES INFO

Components Included		
①	Handle	X1
②	Set Screw M6	X2
③	Fixing Bracket	X2
④	Rubber Gasket	X4

Mounting Kits Included		
	X1	Allen Key

### GLASS INFO

Glass Hole C-C Distance		
A	8"/203mm	8" Shower Door Handle
	12"/305mm	12" Shower Door Handle
	18"/457mm	18" Shower Door Handle
	24"/610mm	24" Shower Door Handle
	36"/914mm	36" Shower Door Handle
B	1/2" (12mm)	Glass Hole Diameter
C	6-12mm	Glass Thickness

\* Can be used with extension kit for thicker doors

NOTE: Dimensions and specifications are subject to change without notice.