



# GERBER

www.gerberonline.com

## Viper™ 1.6 GPF Elongated Toilet

14" Rough-in

### Features:

#### □ VP-21-514

- Vitreous china
- Combination bowl and tank
- 3" flush valve with Fluidmaster® fill valve for quiet fill
- 14" rough-in
- Elongated bowl
- Dual-fed siphon jet action bowl (no splashing)
- 2" Fully Glazed trapway for effective waste removal
- Color matched metal tank lever
- 6 point tank to bowl connection for tank stability
- Sanitary bead for easy cleaning
- Color matched Bolt caps included
- Toilet seat not included



### Technical Information:

#### Included Components:

- Combination      VP-21-514
- Bowl              VP-21-562
- Tank                VP-28-594

### Fixtures:

Configuration	two-piece, elongated
Water per Flush	1.6 gpf (6 lpf)
Rough-In	14"
Height	29 1/4"
Width	18 7/8"
Depth	31 3/8"
Trapway	2"
Large Water Surface	9 1/4" x 6 1/8"
Shipping Weight	84 lbs

### Accessories:

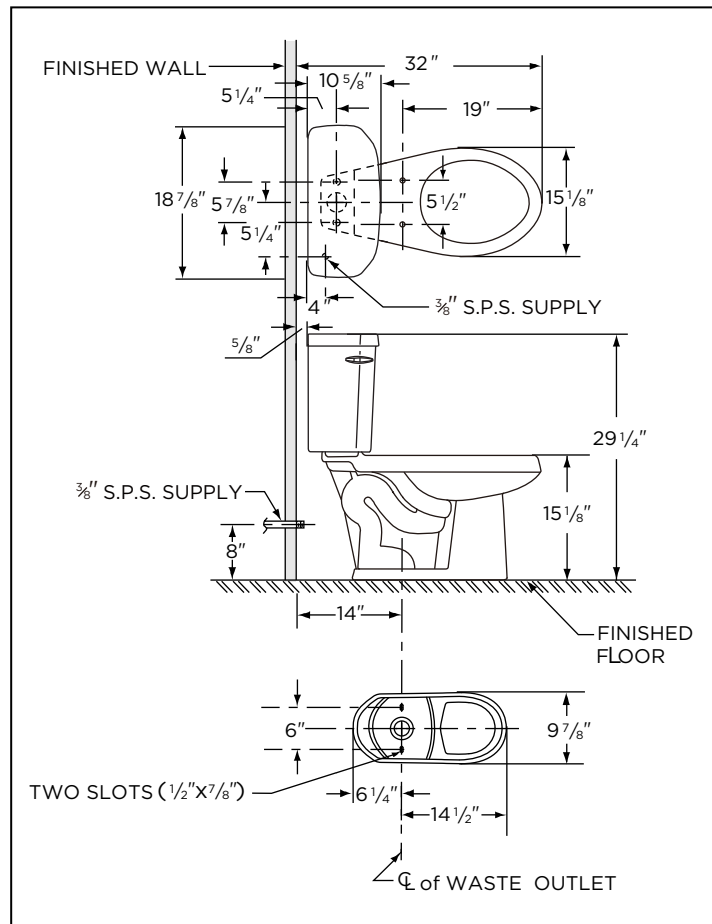
Soft Close Toilet Seat	99-213
------------------------	--------

### Colors/Finishes:

- White
- Other: Refer to Price Book for additional colors/finishes

### Warranty:

- Limited lifetime warranty



**NOTES:** All dimensions are in inches. Illustrations may not be drawn to scale.

#### IMPORTANT:

Dimensions of fixtures are nominal and may vary within the range of tolerances established by ASME standard A 112.19.2 THIS FIXTURE QUALIFIES ACCORDING TO ASME TEST PROCEDURES AS A HIGH EFFICIENCY WATER CLOSET WITH AN AVERAGE CONSUMPTION OF 1.28 gpf (4.8 Lpf) OR LESS.