

**Features:**

**AV-20-817**

- Vitreous China
- 17" Tall, ErgoHeight® ADA Elongated Bowl
- 10" Rough-in
- Featuring the "PowerClean" Flush System
- Fluidmaster 400A Fill Valve
- 3" flush valve for maximum water force
- Corrosion resistant Fluidmaster flapper
- Extra-Large Dual fed siphon jets for high power bowl clearing
- Powerful, 100% glazed, 2" trapway to quickly siphon waste from bowl
- Double nut, multi-point tank-to-bowl mounting system for tool-free installation
- Chrome metal tank lever with solid durable brass arm
- Toilet seat not included
- Available April 2018



**Technical Information:**

**Included Components:**

- Combination AV-20-817
- Bowl AB-21-828
- Tank AL-28-895

**Other Tank Options:** (bowl to be purchased separately)

- Insulated Tank
- Tank with Right Hand Lever
- Insulated Tank with Lid Locking Device

**Fixtures:**

Configuration	Two-piece, ErgoHeight® ADA Elongated Bowl
Water per Flush	1.6 gpf (6.0 lpf)
Rough-In	10"
Height	31 3/4"
Width	17 15/16 "
Depth	27 7/8"
Trapway	2"
Large Water Surface	8 11/16" x 6 5/16"
Shipping Weight	88 lbs

**Accessories:** (to be purchased separately)

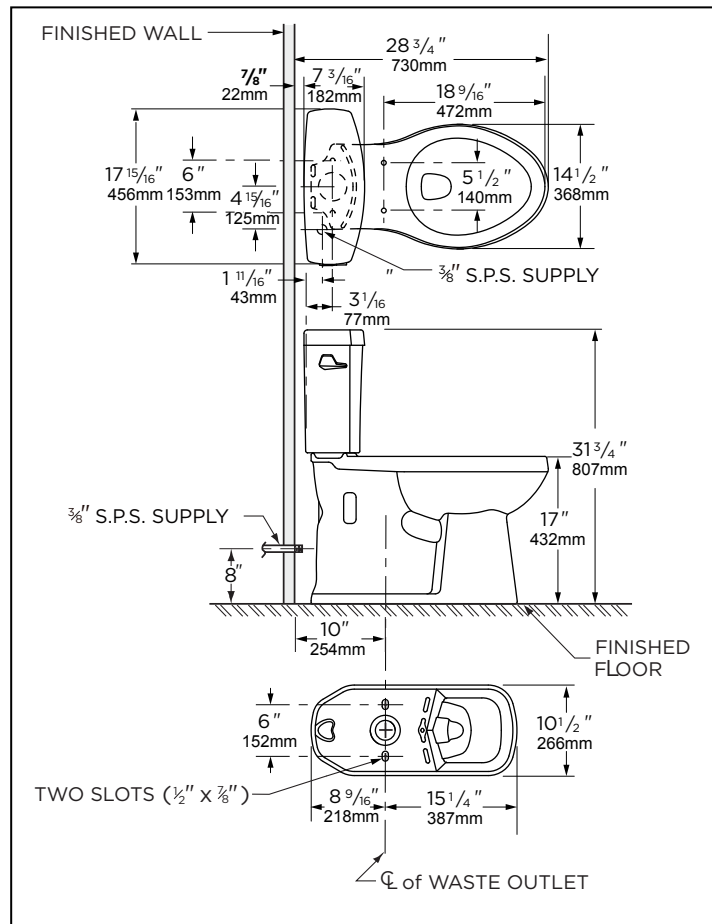
Soft Closed Toilet Seat	99-213
-------------------------	--------

**Colors only:**

- White
- Other: Refer to Price Book for additional colors

**Warranty:**

- 10 Year Warranty, Limited Lifetime on Vitreous China



**NOTES:** All dimensions are in inches and millimeters. Illustrations may not be drawn to scale.

**IMPORTANT:**

Dimensions of fixtures are nominal and may vary within the range of tolerances established by ASME standard A 112.19.2 THIS FIXTURE QUALIFIES ACCORDING TO ASME TEST PROCEDURES AS A LOW CONSUMPTION WATER CLOSET WITH AN AVERAGE CONSUMPTION OF 1.6gpf (6 Lpf) OR LESS.