

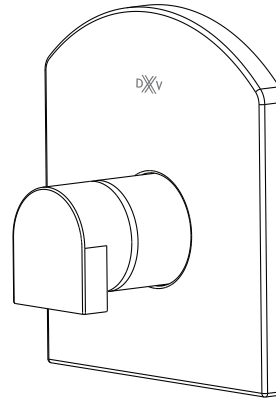
# INSTALLATION INSTRUCTIONS

## Equility® Pressure Balanced Shower Valve Trim Kit

Models D35109F00  
D35109F00RB

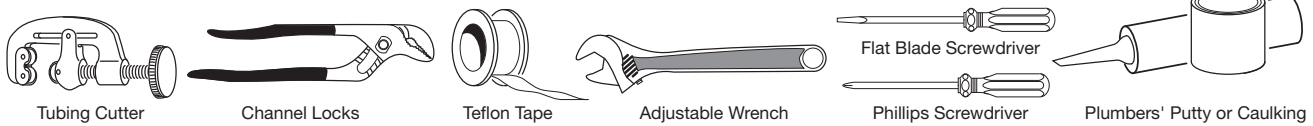
To be used with D35101SS0.191  
Pressure Balanced Shower Valve

Thank you for selecting DXV. To ensure that your installation proceeds smoothly, please read these instructions carefully before you begin.



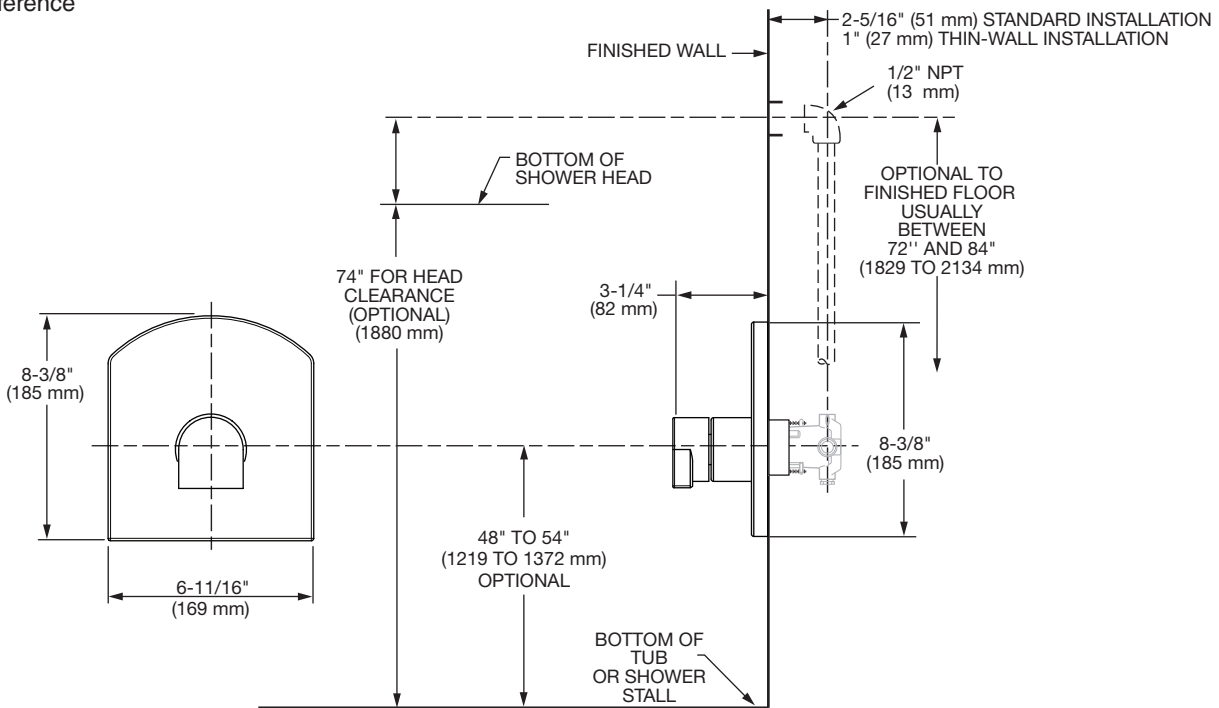
### RECOMMENDED TOOLS AND MATERIALS

Most of the procedures require the use of common tools and materials, which are available from hardware and plumbing, supply stores. It is essential that the tools and materials be on hand before work is begun.



### ROUGHING-IN DIMENSIONS:

• For reference



#### In the United States:

DXV  
One Centennial Avenue  
Piscataway, New Jersey 08855  
Attention: Director of Customer Care

For residents of the United States, warranty information may also be obtained by calling the following toll free number: (800) 227-2734  
www.DXV.com

#### In Canada:

DXV  
5900 Avebury Road  
Mississauga, Ontario  
L5R 3M3  
Canada

Toll Free: 1-800-387-0369  
Local: 905-306-1093  
Fax: 1-800-395-1498  
www.DXV.ca

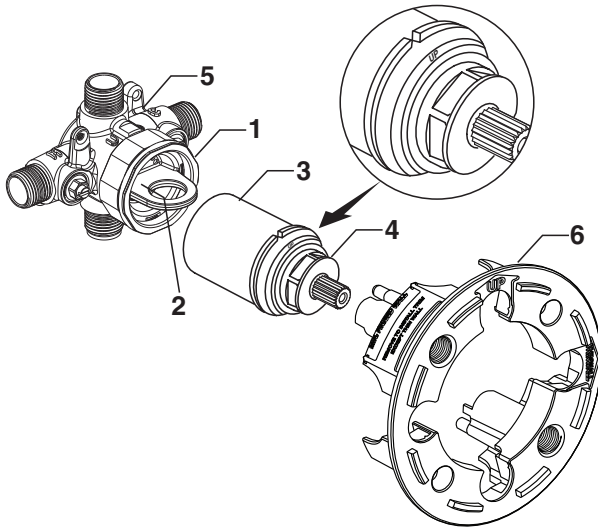
#### In Mexico:

DXV  
Via Morelos 330  
Col. Santa Clara Coatitla  
Ecatepec, Estado de México 55540

Toll Free: 01-800-8391200  
www.DXV.mx

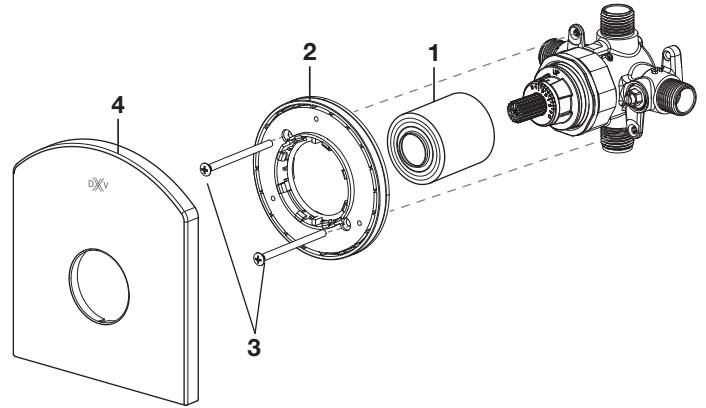
SAVE FOR FUTURE USE

## 1 CARTRIDGE INSTALLATION



- Remove PLASTER GUARD (6).
- Remove BONNET NUT (1) by unthreading it Counter clockwise. Remove FLUSH PLUG (2).
- Remove PROTECTIVE HOUSING (3) from CARTRIDGE (4). Install with "UP" text on top.
- Reinstall BONNET NUT (1) onto VALVE BODY (5) and tighten firmly.

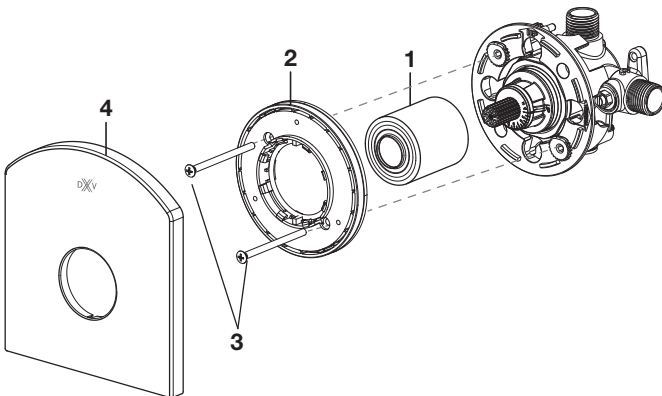
## 2 TRIM INSTALLATION (STANDARD WALL INSTALLATION)



**CAUTION** Turn off hot and cold water supplies before beginning.

- Remove plaster guard from valve.
- Push CARTRIDGE COVER (1) over the valve body.
- Thread SCREWS (3) through ESCUTCHEON HOLDER (2) and secure to the valve body.
- Push ESCUTCHEON (4) over ESCUTCHEON HOLDER (2).

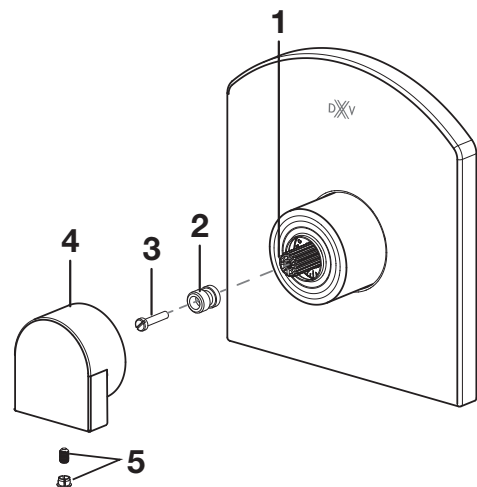
## 3 TRIM INSTALLATION (THIN WALL INSTALLATION)



**CAUTION** Turn off hot and cold water supplies before beginning.

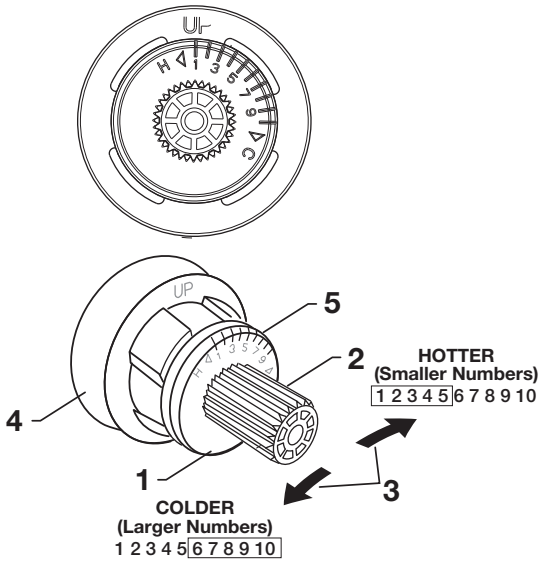
- Push CARTRIDGE COVER (1) over the valve body.
- Thread SCREWS (3) through ESCUTCHEON HOLDER (2) and secure to the valve body.
- Push ESCUTCHEON (4) over ESCUTCHEON HOLDER (2).

## 4 HANDLE INSTALLATION



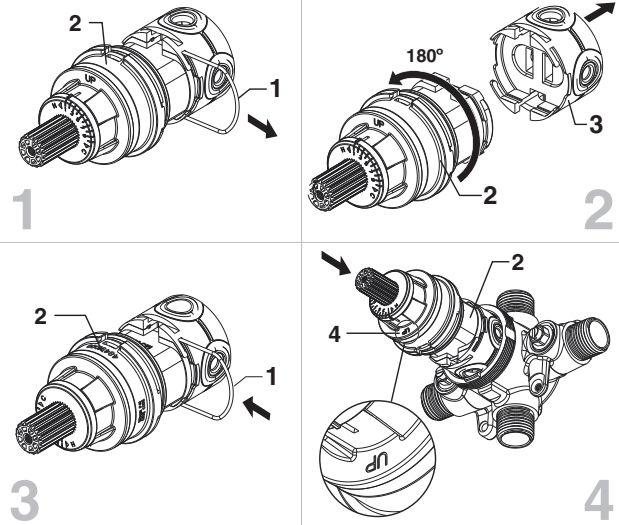
- Insert SCREW (3) through HANDLE ADAPTER (2) and secure to VALVE STEM (1).
- Push HANDLE (4) over HANDLE ADAPTER (2) and secure with SET SCREW & PLUG BUTTON (5).

## 5 ADJUST HOT LIMIT STOP



- By restricting HANDLE rotation and limiting the amount of hot water allowed to mix with the cold, the HOT LIMIT SAFETY STOP (1) reduces risk of accidental scalding. To set the maximum hot water temperature of your faucet valve, adjust the setting on the HOT LIMIT SAFETY STOP (1).
- Turn CARTRIDGE STEM (2) to the OFF position (coldest setting) before making adjustment to HOT LIMIT STOP (3). Pull forward and rotate counterclockwise one number to limit hot water temperature. Use NUMBERS (5) on CARTRIDGE (4) on HOT LIMIT STOP (3) for indication.

## 6 BACK TO BACK INSTALLATION



- Remove PIN (1) from CARTRIDGE (2) by pulling.
- Separate MANIFOLD (3) from CARTRIDGE (2) by pulling.
- Rotate CARTRIDGE (2) 180 degrees and reinstall MANIFOLD (3) with PIN (1).
- The “up” TEXT (4) should now be facing downward during installation of the CARTRIDGE (2).

### CARE AND CLEANING:

**Do:** Simply rinse the product clean with clear water, dry with a soft cotton flannel cloth.

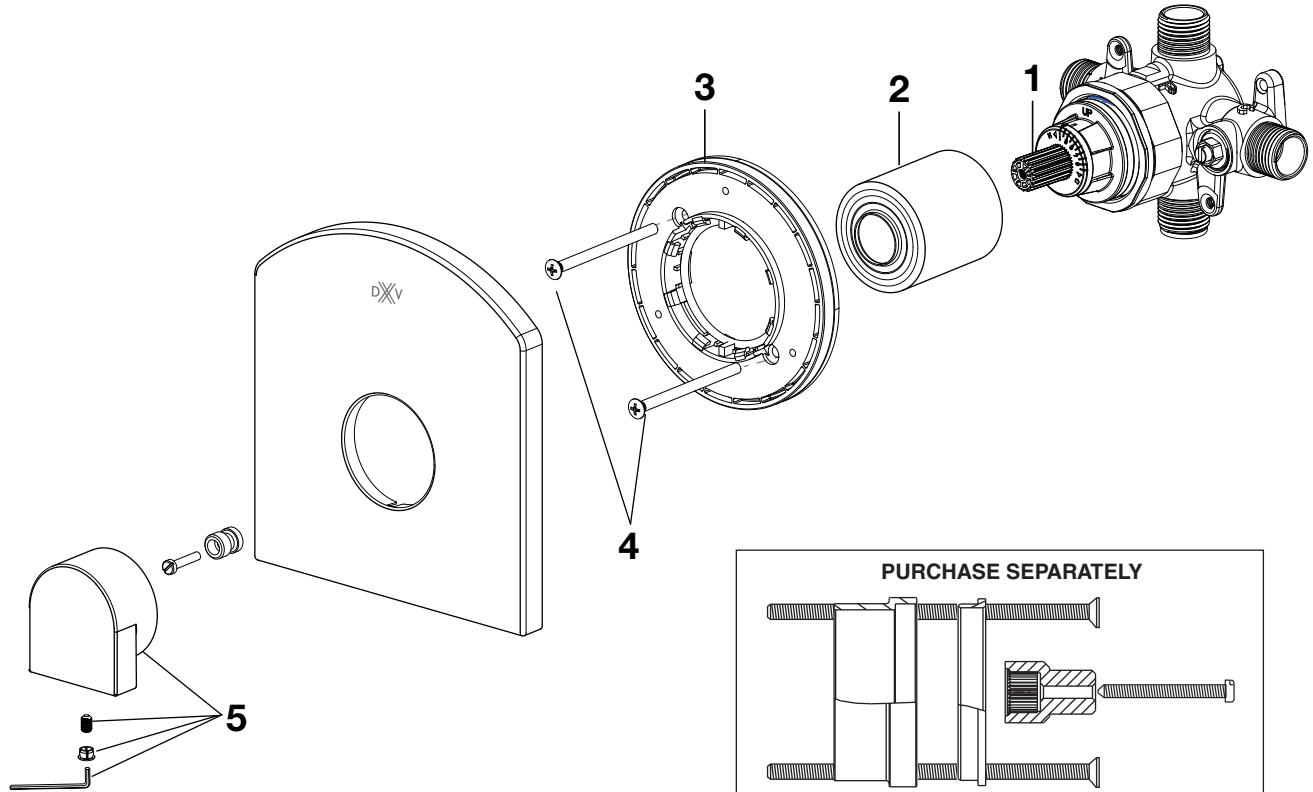
**Do Not:** Clean the product with soaps, acid, polish, abrasives, harsh cleaners, or a cloth with a coarse surface.



# Equility® Pressure Balanced Shower Valve Trim Kit

MODEL NUMBERS

**D35109F00**  
**D35109F00RB**



Replace the "YYY" with appropriate finish code

POLISHED CHROME	100
BRUSHED NICKEL	144
MATTE BLACK	243

1	M970654-0070A	CARTRIDGE
2	M964519-YYY0A	CARTRIDGE COVER
3	M970484-0070A	MOUNTING PLATE
4	078016-0020A	ESCUTCHEON SCREWS
5	M964431-1000A	HANDLE KIT