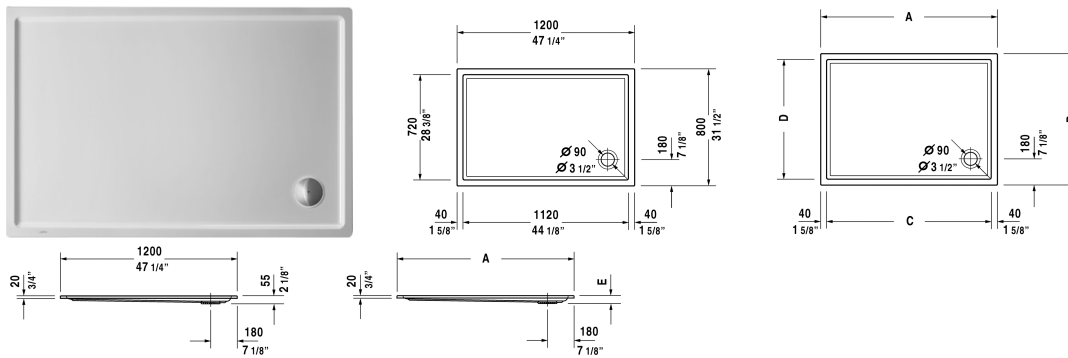


Starck Tubs/Shower trays Shower tray # 72012100000090

|< 47 1/4" Inch >|



Shower tray	Dimension	Weight	Order number
rectangle, Sanitary acrylic, 2 1/8" Inch			
Colors			
00 White			
Variant			
Shower tray	47 1/4" x 31 1/2" Inch	46.3 lb	72012100000090
Infobox			
* Complies with the following standards: CSA B45.5/IAPMO Z124, A grid drain or similar should be used in conjunction with a p-trap under the floor. A 4" grid drain is necessary for shower trays with a 3 1/2" (90 mm) outlet.			
Accessory for shower trays			
Tile flange			790112

All drawings contain the necessary measurements which are subject to standard tolerances. They are stated in inch & mm and are non-binding. Exact measurements, in particular for customized installation scenarios, can only be taken from the finished ceramic piece.