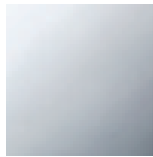




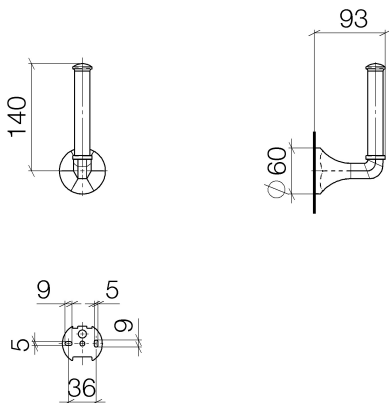
WC - Madison
Reserve tissue holder - polished chrome
Article number: 83 590 361-00

- Height 6-3/4"
- Flange diameter 2-3/8"
- 3-5/8" Projection



polished chrome

Dimensional drawing



All dimensions in mm / inch = mm x 0,0394



WC - Madison

Reserve tissue holder - polished chrome

Article number: 83 590 361-00



WC - Madison
Reserve tissue holder - polished chrome
Article number: 83 590 361-00

Other surface finishes



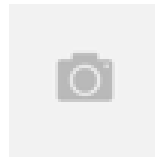
platinum matte
83 590 361-06



platinum
83 590 361-08



Durabrass
83 590 361-09



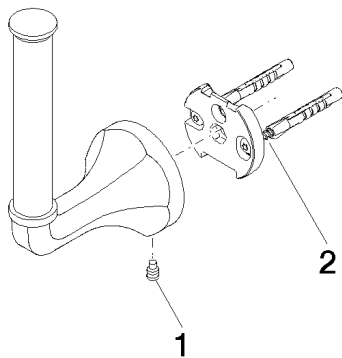
Brushed Durabrass
83 590 361-28



Dark Platinum matte
83 590 361-99

More custom finish options are available via special production (xTra Service). Please see our finish matrix for availability and pricing or contact a Dornbracht representative.

Spare parts list



Number	Item Number	Designation	Number of units
1	04 31 11 140 00 90	pin	1
2	05 17 97 507 00 90	fixing set	1