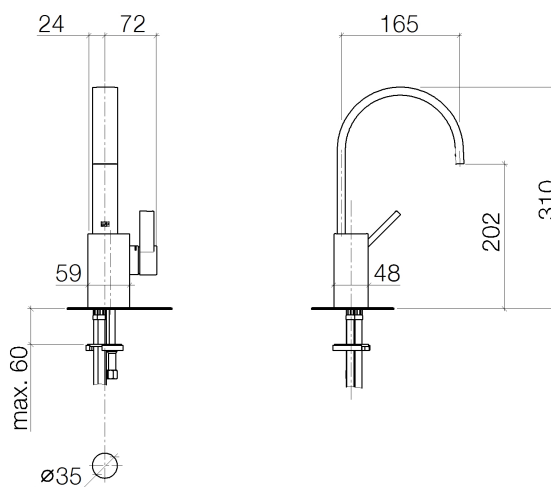




Product specifications

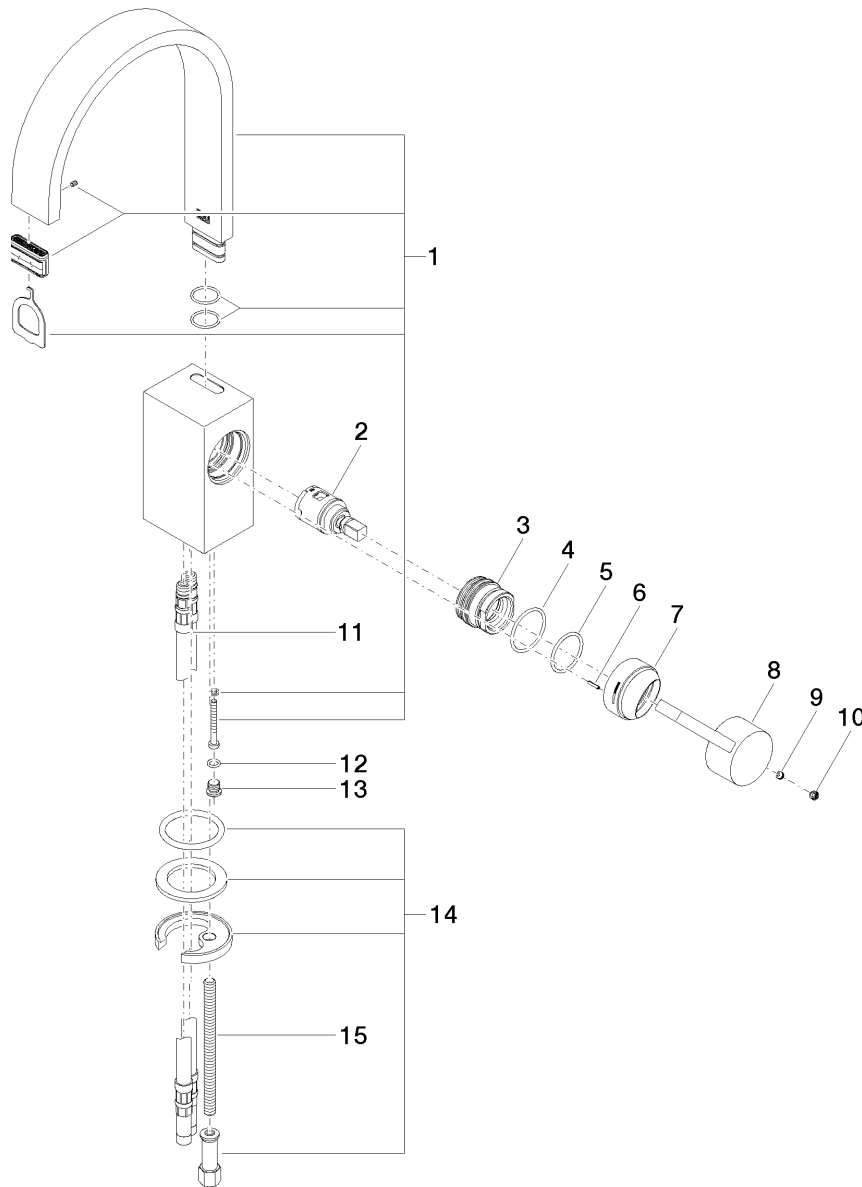
- **165 mm projection**
- fixed spout
- rectangular, air-enriched flow
- height of mixer 310 mm
- height up to aerator 202 mm
- hole diameter 35 mm
- 2x screw-in M 10 x 1 pressure hose, leak-tested
- max. flow 6 l/min
- lead-free



Surfaces

- | | |
|-----------------|-------------|
| • chrome | 33521782-00 |
| • platinum matt | 33521782-06 |
| • platinum | 33521782-08 |
| • Cyprum | 33521782-49 |

Exploded assembly drawing



**Order quantity**

No.	Article number	Name	Installation quantity
1	90282215301ff	spout	1
2	9015050420090	cartridge	1
3	09240428890	nut	1
4	09141013790	seal	1
5	09141006390	seal	1
6	09311115290	pin	1
7	092830028ff	cover	1
8	092078057ff	handle	1
9	09311106390	pin	1
10	09312010990	plug	1
11	0430040160090	hose	2
12	09141013290	seal	1
13	09312002710ff	plug	1
14	0430110387590	fixing set	1
15	09311101290	pin	1

Flow rate chart

