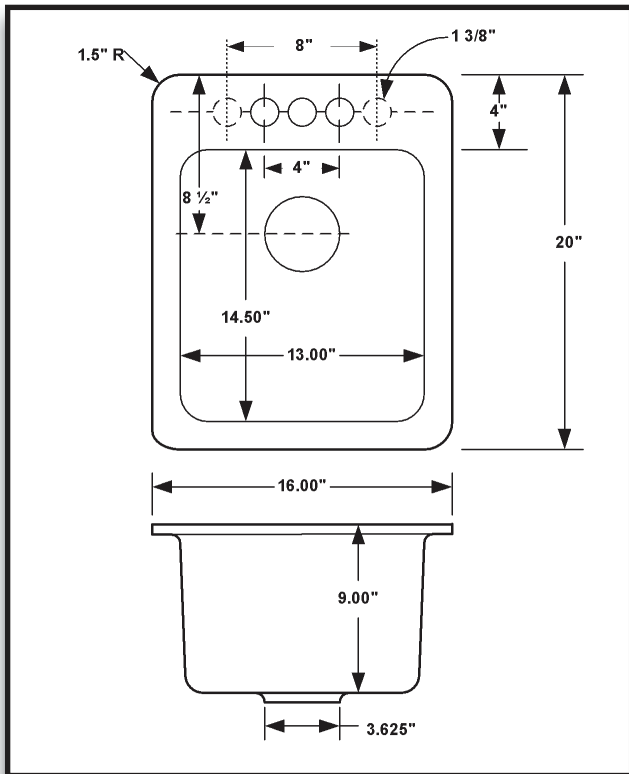


Mojave

Mojave

16" x 20" Vegetable/Bar Sink
 Tile, Metal Rim or Undercounter Mount
 Available in 4" or 8" Center Set
 3 1/2" Drain

Accessories (Sold Separately)
 Mounting Rim
 Cutting Board
 Sink Tray



Cat. No.	Size	Depth	Ship Wt.
721-C	16" x 20"	9"	58 lbs

Available with 4" and 8" Center Set

ACID RESISTANT ENAMEL ON CAST IRON
 *Rough-in dimensions may vary 1/4"

