



California Faucets®

# SHOWERHEAD

5-5/8" MULTI-FUNCTION TRADITIONAL

## Features

- 1/2" FIP inlet
- 3 function: rain, air & massage
- Self-cleaning rubber jets
- Solid brass pivot ball & body
- 5-5/8" diameter, gray face
- Available in 28 finishes including 13 PVD finishes
- Replace .FR with desired max flow rate:
  - SH-073.25 for 2.5 gpm
  - SH-073.20 for 2.0 gpm
  - SH-073.18 for 1.8 gpm

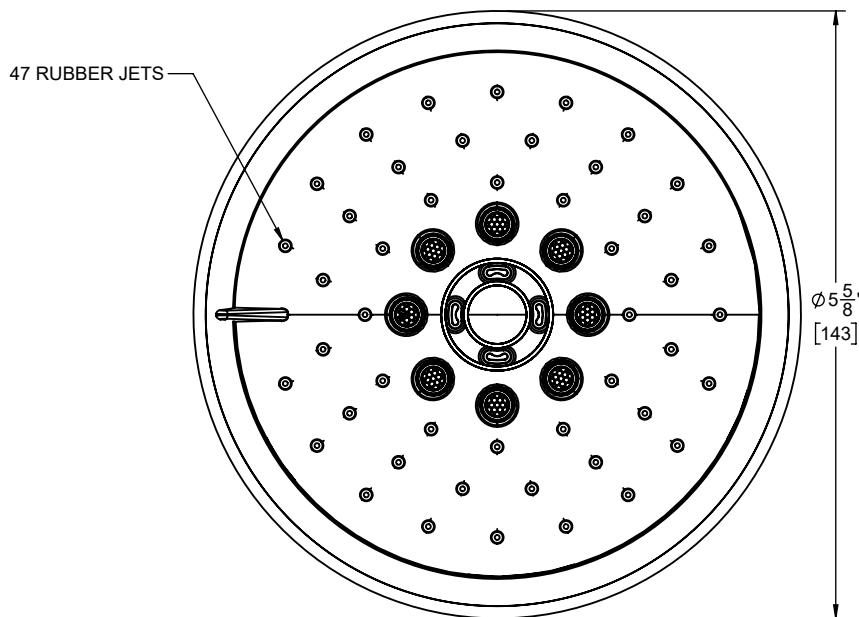
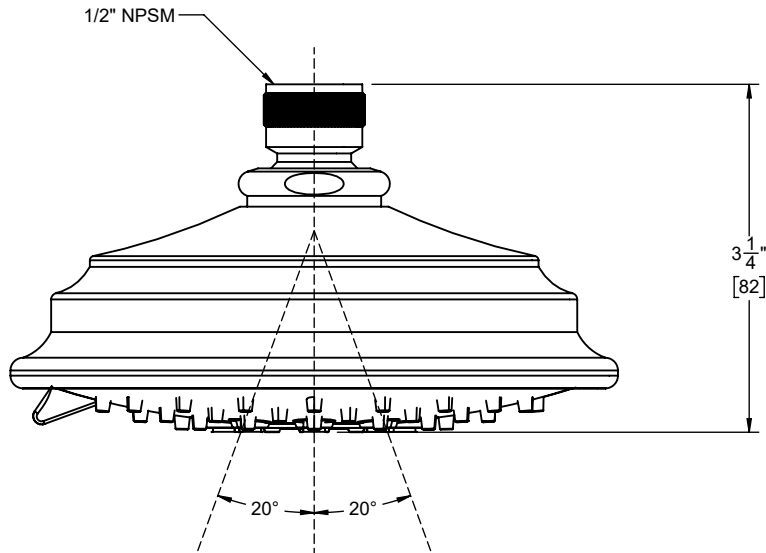
SH-073.25  
SH-073.20  
SH-073.18



## Codes/Standards

Product meets or exceeds the following:

- ASME A112.18.1/CSA B125.1
- CEC (1.8 gpm)
- DOE (2.5, 2.0, & 1.8 gpm)
- Commonwealth of MA
- EPA WaterSense Showerhead (2.0 gpm)



SPECIFICATION SUBJECT TO CHANGE WITHOUT NOTICE

DIMENSIONS SHOWN TO NEAREST 1/16"  
[DIMENSIONS SHOWN TO NEAREST 1MM]