



California Faucets®

**Descanso**®

Bridge Kitchen Faucet with Sidespray

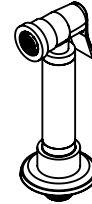
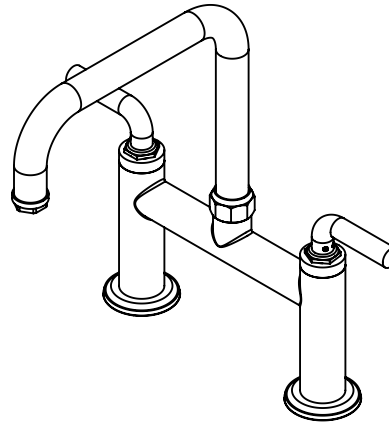
**Features**

- 25+ artisanal finishes including 12 PVD finishes
- All brass construction
- Spout rotates 360°
- 3-hole deck mount installation
- Built-in diverter for sidespray
- Insulated brass sidespray handle and trigger
- Mixed water supplied to sidespray without separate valve
- Flexible braided hoses for ease of installation
- 1/4 turn ceramic disc cartridge(s)
- 1.8 gpm (6.8 L/min) max flow rate

**Codes/Standards Applicable**

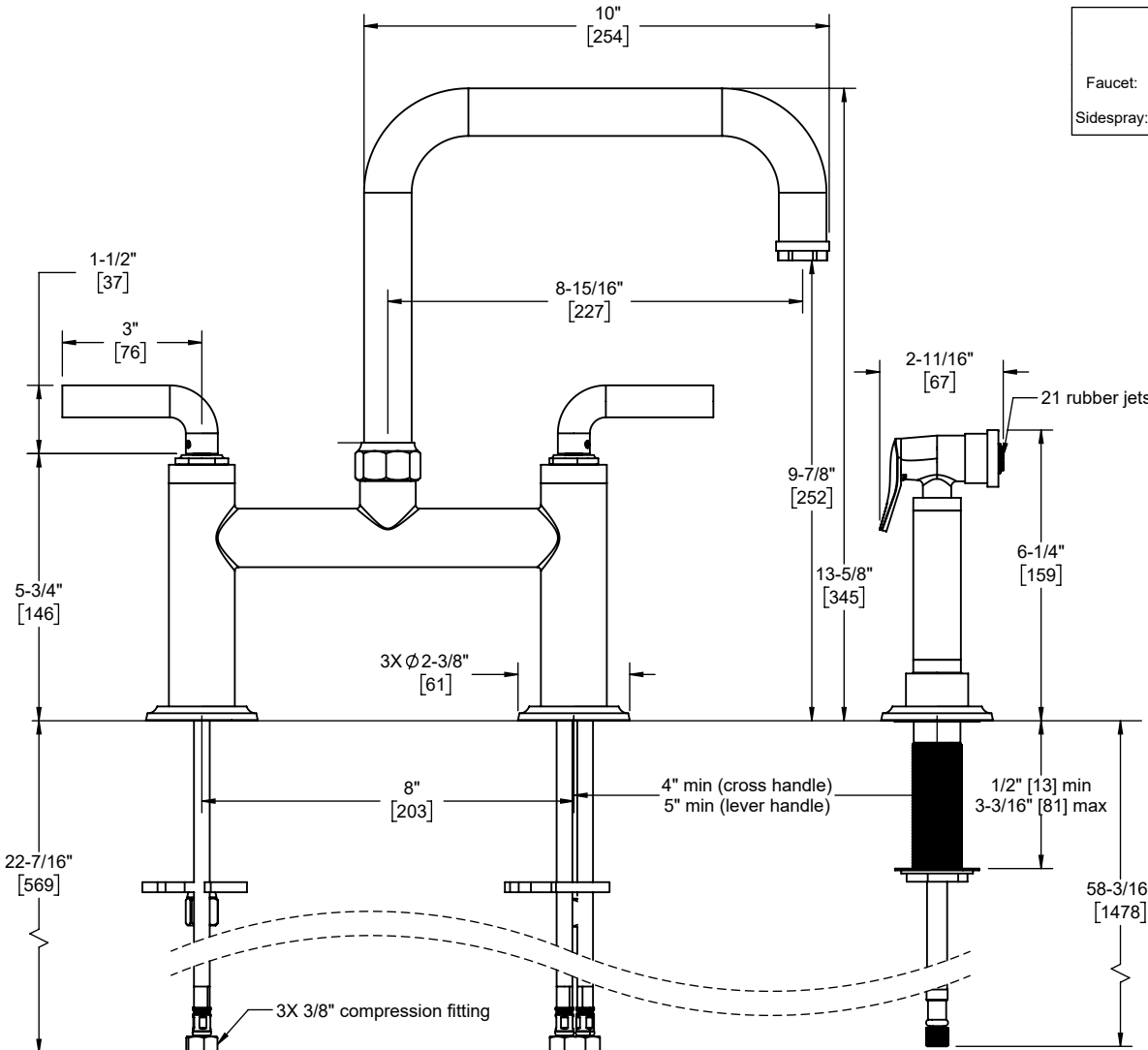
Product meets or exceeds the following:

- ASME A112.18.1/CSA B125.1
- NSF 61, NSF 372, CEC & DOE
- Commonwealth of MA
- ADA compliant (with lever handles)

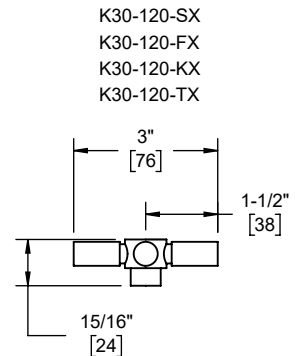


K30-123S-SL-ZZ shown

- K30-123S-SL
- K30-123S-FL
- K30-123S-KL
- K30-123S-TL
- K30-123S-SX
- K30-123S-FX
- K30-123S-KX
- K30-123S-TX



Through-Hole Specifications			
	Min	Recommended	Max
Faucet:	Ø 1-1/8" [29]	Ø 1-3/8" [35mm]	Ø 1-3/8" [35mm]
Sidespray:	Ø 1-1/8" [29]	Ø 1-3/8" [35mm]	Ø 1-3/8" [35mm]



- K30-120-SX
- K30-120-FX
- K30-120-KX
- K30-120-TX

Specifications subject to change without notice

Dimensions are inches, rounded to 1/16"  
[Dimensions in brackets are mm, rounded to 1mm]