



California Faucets®

Descanso™

Deluxe Wall Tub Spout

Features

- Over 28 finishes including 13 PVD finishes
- All brass construction
- Max flow rate: 16 gpm (60.6L/m) at 60 psi
- For use with StyleTherm, 3-VR or 2-VR valves

D-30-30
D-30K-30

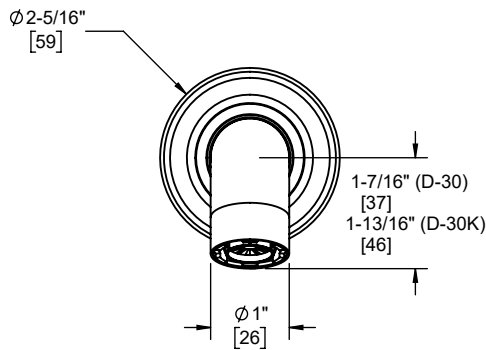
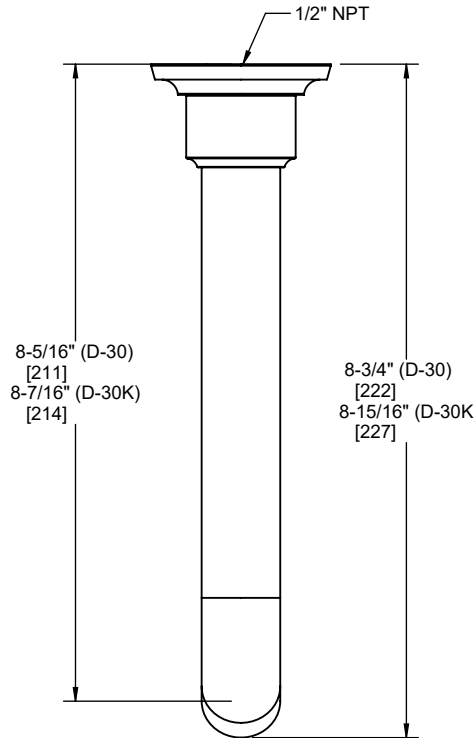


D-30-30-ZZ shown

Codes/Standards

Product meets or exceeds the following:

- ASME A112.18.1/CSA B125.1



| Through-Hole Specifications | | |
|-----------------------------|---------------|-----------------|
| Min | Recommended | Max |
| Ø 1" [25] | Ø 1-1/4" [32] | Ø 1-15/16" [49] |

Dimensions are inches, rounded to 1/16"
[Dimensions in brackets are mm, rounded to 1mm]

Specifications subject to change without notice