



California Faucets®

CHRISTOPHERGRUBB Collection

Trousdale™

Wall Mount tub Filler with Handshower

Features

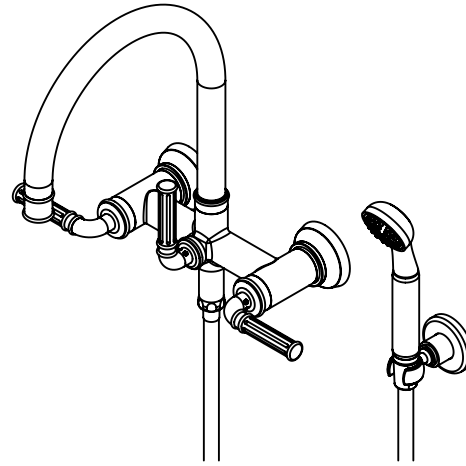
- Available in 28 finishes including 13 PVD finishes
- All brass construction
- Tub filler maximum flow rate: 15 gpm (56.8 L/min) at 60 psi
- Handshower flow rate: 2.0 gpm (7.6 L/min) or 1.8 gpm (6.8 L/min)
- 1/4 turn ceramic disc cartridges

C108-ETW.18
C108-ETW.20
C108X-ETW.18
C108X-ETW.20
C108XS-ETW.18
C108XS-ETW.20

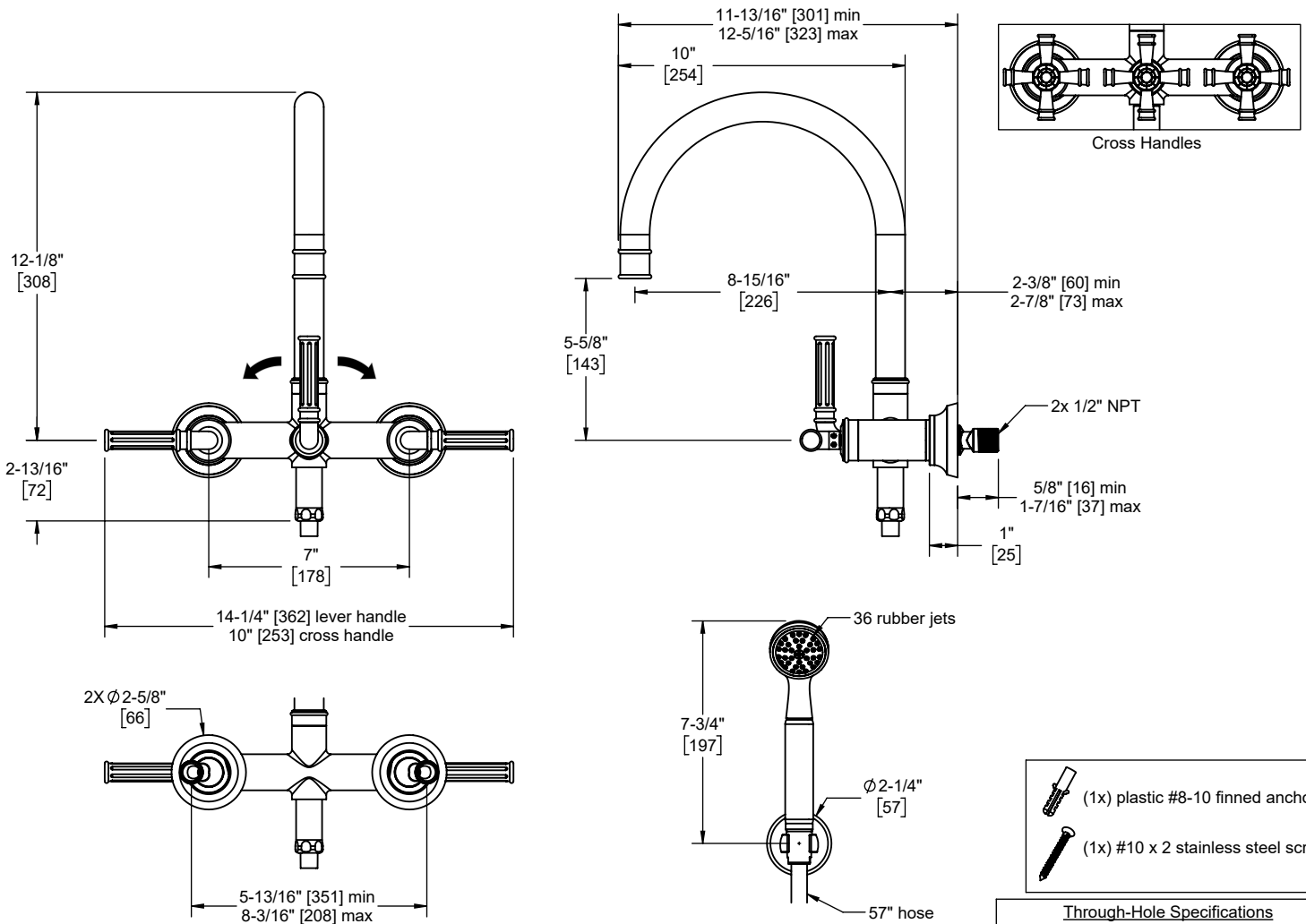
Codes/Standards

Product meets or exceeds the following:

- ASME A112.18.1/CSA B125.1
- CEC (1.8 gpm) / DOE (2.0 & 1.8 gpm)
- Commonwealth of MA
- EPA WaterSense Handshower (2.0 gpm)
- ADA compliant (lever handles only)
- Local codes may require installation of an upstream tempering valve



C108-ETW.FR shown



Through-Hole Specifications		
Min	Recommended	Max
Ø 1-1/4" [32]	1-3/4" [45]	Ø 2" [51]

Specifications subject to change without notice

Dimensions are inches, rounded to 1/16"
[Dimensions in brackets are mm, rounded to 1mm]