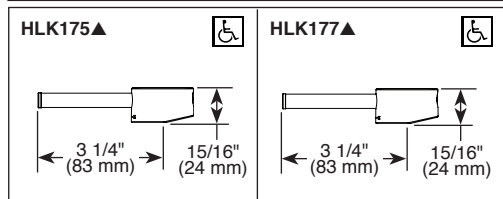
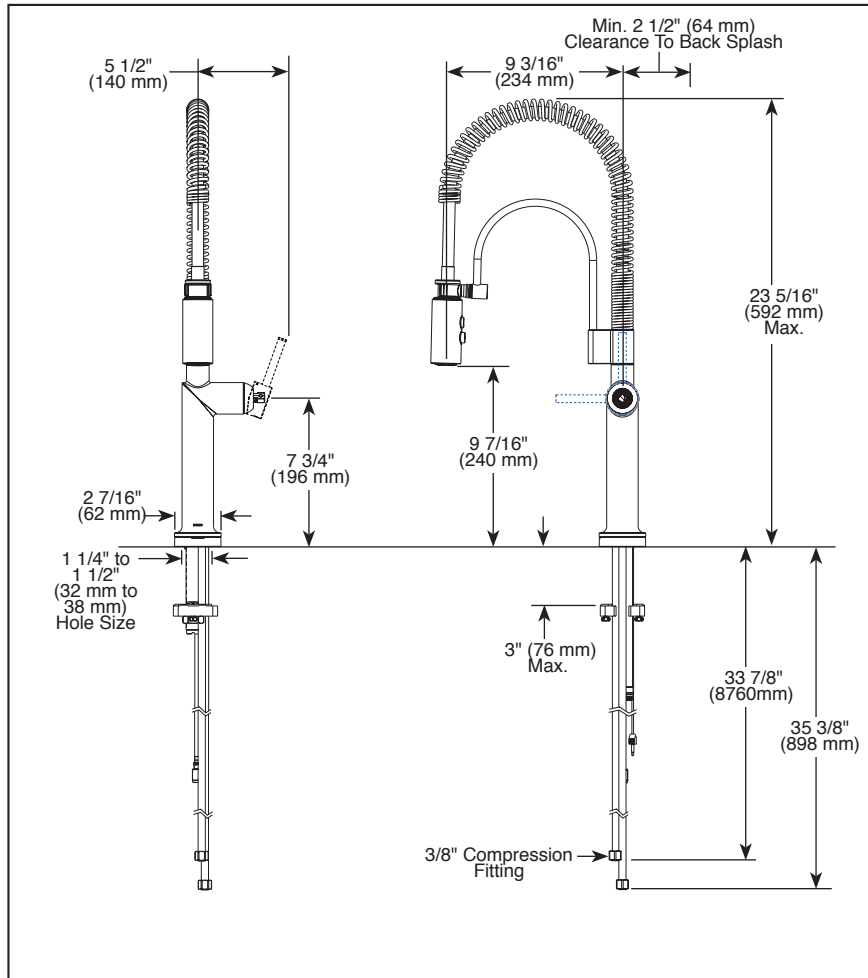


64375LF-▲LHP

Submitted Model No.: \_\_\_\_\_

Specific Features: \_\_\_\_\_



▲ Designate proper finish suffix

# BRIZO®

## KITCHEN FAUCETS

- Odin® Collection
- Semi-Professional Kitchen Faucet

### FEATURES:

- MagneDock® Magnetic Docking
- SmartTouch® On/Off Functionality
- TempID® indicator light shows water temperature and signals when batteries run low
- DIAMOND Seal® Technology

### STANDARD SPECIFICATIONS:

- Max flow rate 1.8 gpm @ 60 psi, 6.8 L/min @ 414 kPa
- One hole mount
- Diamond coated ceramic cartridge
- 3/8" O.D. straight, staggered PEX supply lines
- Arm rotates 360°
- Two-function wand: Aerated stream or spray
- Dual integral check valves in sprayer
- Quick connect hoses
- 23" (584 mm) above-deck exposed hose

### WARRANTY

- Lifetime limited warranty on parts (other than electronic parts and batteries) and finishes; or, for commercial users, for 5 years from date of purchase.
- 5 year limited warranty on electronic parts (other than batteries); or, for commercial users, for 1 year from the date of purchase. No warranty is provided on batteries.

### COMPLIES WITH:

- ASME A112.18.1 / CSA B125.1
- ASME A112.18.6
- Indicates compliance to ICC/ANSI A117.1
- Verified compliant with .25% weighted average Pb content regulations.

Brizo Kitchen & Bath Company reserves the right (1) to make changes in specifications and materials, and (2) to change or discontinue models, both without notice or obligation. Dimensions are for reference only. See current full-line price book or [www.brizo.com](http://www.brizo.com) for finish options and product availability.

BSP-K-64375LF-LHP Rev. A

**Brizo Kitchen & Bath Company**

55 E. 111th Street, Indianapolis, Indiana 46280  
350 South Edgeware Road, St. Thomas, ON N5P 4L1  
© 2021 Brizo Kitchen & Bath Company