

BRIZO®

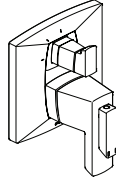
TempAssure® Thermostatic MultiChoice® Valve with Integrated 3 or 6 Function Diverter Trim Installation Instructions Owners Manual

75 Series

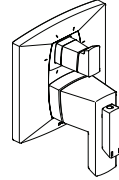
Write purchased model number here.

For easy installation of your Brizo® faucet you will need:

- To **READ ALL** the instructions completely before beginning.
- To **READ ALL** warnings, care, and maintenance information.



T75588-▲



T75688-▲

You May Need

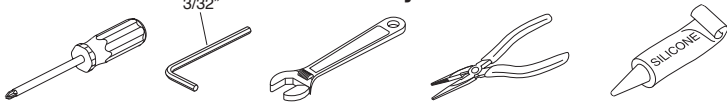


Table of Contents:

Warranty	Page 2
Installation Instructions	Pages 3 - 6
Maintenance	Page 7
Replacement Parts	Pages 9 - 10

CAUTION: This system/device must be set by the installer to ensure safe, maximum temperature. Any change in the setting may raise the discharge temperature above the limit considered safe and may lead to hot water burns.

NOTICE TO INSTALLER: CAUTION!—As the installer of this valve, it is your responsibility to properly **INSTALL** and **ADJUST** this valve per the instructions given. This valve does not automatically adjust for inlet temperature changes, therefore, someone must make the necessary temperature knob adjustments at the time of installation and further adjustments may be necessary due to seasonal water temperature change. **YOU MUST** inform the owner/user of this requirement by following the instructions. If you or the owner/user are unsure how to properly make these adjustments, please refer to page 5 and if still uncertain, call us at 1-877-345-BRIZO (2749).

After installation and adjustment, you must affix your name, company name and the date you adjusted the temperature knob to the caution label provided and apply or attach the label to the back

side of the closest cabinet door and the warning label to the water heater. **Leave this Instruction Sheet for the owner's/user's reference.**

WARNING: This thermostatic bath valve is designed to minimize the effects of outlet water temperature changes due to inlet pressure and temperature changes, commonly caused by dishwashers, washing machines, toilets and the like. It may not provide protection from hot water burns when there is a failure of other temperature controlling devices elsewhere in the plumbing system, if the temperature knob is not properly set or if the hot water temperature is changed after the settings are made or if the water inlet changes due to seasonal changes.

WARNING: Do not install a shut-off device on either outlet of this valve. When this type of device shuts off the water flow, it can defeat the ability of the valve to balance the hot and cold water pressures.

Limited Warranty on Brizo® Faucets

Parts and Finish

All parts (other than electronic parts and batteries) and finishes of this Brizo® faucet are warranted to the original consumer purchaser to be free from defects in material and workmanship for as long as the original consumer purchaser owns the home in which the faucet was first installed or, **for commercial users, for 5 years from the date of purchase.**

Electronic Parts and Batteries (if applicable)

Electronic parts (other than batteries), if any, of this Brizo® faucet are warranted to the original consumer purchaser to be free from defects in material and workmanship for 5 years from the date of purchase or, for commercial users, for one year from the date of purchase. No warranty is provided on batteries.

Brizo Kitchen & Bath Company will replace, FREE OF CHARGE, during the applicable warranty period, any part or finish that proves defective in material and/or workmanship under normal installation, use and service. If repair or replacement is not practical, Brizo Kitchen & Bath Company may elect to refund the purchase price in exchange for the return of the product. **These are your exclusive remedies.**

Brizo Kitchen & Bath Company recommends using a professional plumber for all installation and repair. We also recommend that you use only genuine Brizo® replacement parts.

Brizo Kitchen & Bath Company shall not be liable for any damage to the faucet resulting from misuse, abuse, neglect or improper or incorrectly performed installation, maintenance or repair, including failure to follow the applicable care and cleaning instructions.

Replacement parts may be obtained by calling the applicable number below or by writing to:

In the United States and Mexico:

Brizo Kitchen & Bath Company
Product Service
55 E. 111th Street
Indianapolis, IN 46280
1-877-345-BRIZO (2749)
brizosupport@brizo.com

In Canada:

Masco Canada Limited, Plumbing Group
Technical Service Centre
350 South Edgeware Road
St. Thomas, Ontario, Canada N5P 4L1
1-877-345-BRIZO (2749)
customerservice@mascocanada.com

Proof of purchase (original sales receipt) from the original purchaser must be made available to Brizo Kitchen & Bath Company for all warranty claims unless the purchaser has registered the product with Brizo Kitchen & Bath Company. This warranty applies only to Brizo® faucets manufactured after January 1, 1995 and installed in the United States of America, Canada and Mexico.

BRIZO KITCHEN & BATH COMPANY SHALL NOT BE LIABLE FOR ANY SPECIAL, INCIDENTAL OR CONSEQUENTIAL DAMAGES (INCLUDING LABOR CHARGES) FOR BREACH OF ANY EXPRESS OR IMPLIED WARRANTY ON THE FAUCET. Some states/provinces do not allow the exclusion or limitation of special, incidental or consequential damages, so these limitations and exclusions may not apply to you. This warranty gives you special legal rights. You may also have other rights which vary from state/province to state/province.

This is Brizo Kitchen & Bath Company's exclusive written warranty and the warranty is not transferable.

If you have any questions or concerns regarding our warranty, please view our Warranty FAQs at www.Brizo.com, email us at brizosupport@brizo.com or call us at the applicable number above.

© 2017 Masco Corporation of Indiana

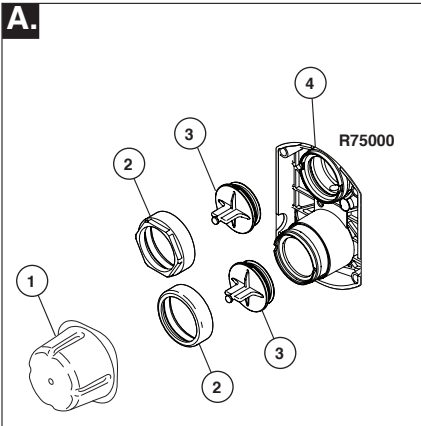
Cleaning and Care

Care should be given to the cleaning of this product. Although its finish is extremely durable, it can be damaged by

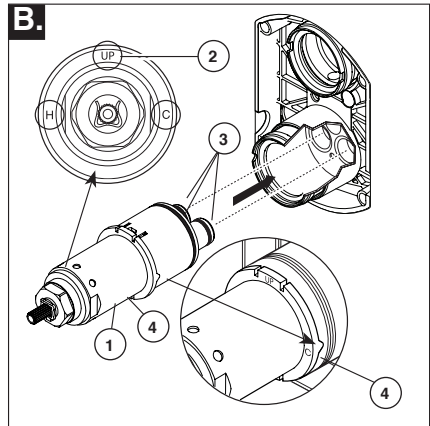
harsh abrasives or polish. To clean, simply wipe gently with a damp cloth and blot dry with a soft towel.

1

Cartridge Installation

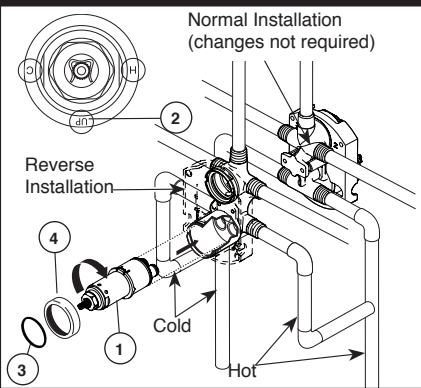


Turn off water supplies. Remove cover (1), bonnet nuts (2) and test caps (3) from the rough-in body (4) R75000. Place a bucket or small container over the front of the valve body and slowly open the water supplies to flush any debris from the supply lines before installing the cartridge. Turn the water supplies back off.

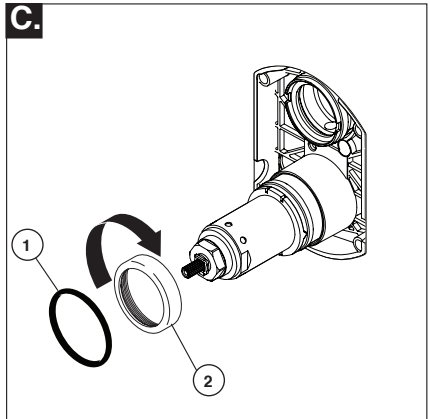


Rotate the valve cartridge (1) so the word "UP" (2) appears on the top. The "H" must be on the hot side and the "C" must be on the cold side. Add silicone lube to the three o-rings (3) shown above to make the cartridge easier to install and remove from the valve body. Insert cartridge into valve body as shown. Ensure the keys on the body are fully engaged with the slots in the body (4). A light coating of plumbers grease applied to o-rings may aid in assembly.

Back to back Installation



For the exceptions of back to back or reverse installations (hot on right and cold on left) only: Rotate valve cartridge (1) so "H" is on the hot side and "C" is on the cold side and the word "UP" (2) appears on the bottom. Apply silicone lube to the three o-rings shown above to make the cartridge easier to install and remove from the rough-in body. Install the cartridge making sure that the keys are fully engaged with the slot in the rough-in body (see step B). Slide o-ring (3) and bonnet nut (4) over the cartridge and thread onto the rough-in body. Hand tighten securely.

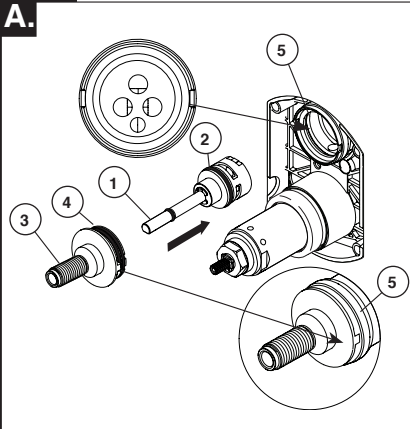


Thread bonnet nut (2) onto cartridge. Hand tighten securely. Slide o-ring (1) over the cartridge and bonnet.

75 Series Installation

Diverter Cartridge Installation

2

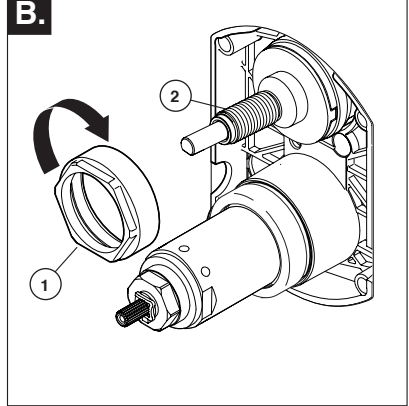
A.**FOR DIVERTER CARTRIDGE INSTALLATION:**

Apply silicone lube to the o-ring (2) to make the diverter sleeve (3) easier to install diverter cartridge.

Rotate the diverter cartridge (1) so the pin is at the bottom for proper installation.

Apply silicone lube to the o-rings (4) to make the diverter sleeve (3) easier to install diverter cartridge.

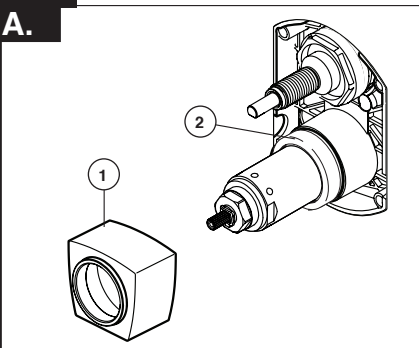
Align diverter sleeve so that the notches are in the same position as the notches on rough-in body (5).

B.**Slip-On Installation**

Slide bonnet nut (1) over diverter sleeve (2) and thread into rough-in body. Hand tighten securely.

3

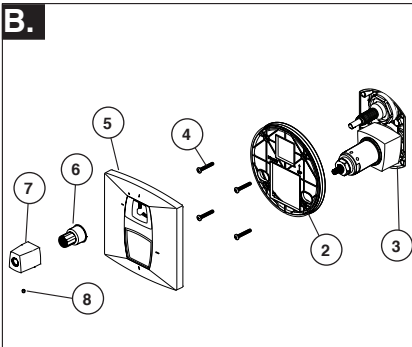
Trim Installation

A.**Trim Sleeve Installation**

Slide trim sleeve (1) over cartridge, bonnet (2), and O-ring. Ensure sleeve is properly positioned over the cartridge. O-ring will help keep trim sleeve securely in position.

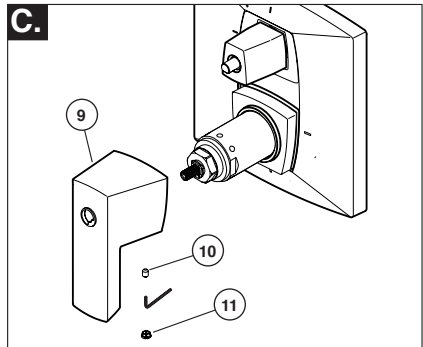
3

Trim Installation



Escutcheon Installation

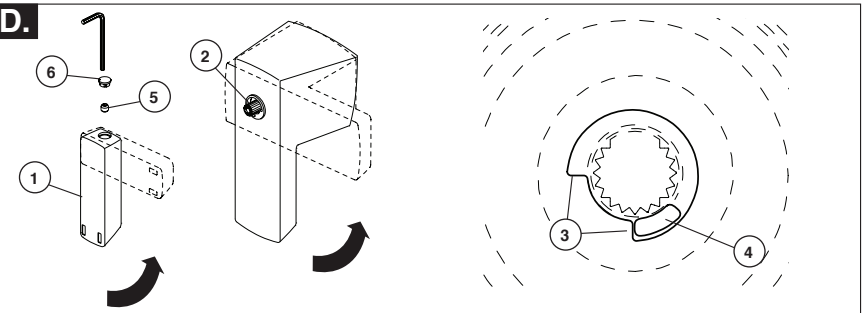
Secure backplate (2) to rough-in body (3) using 4 screws (4) provided. Ensure backplate is oriented front side forward. **Note: Be sure backplate is oriented front side forward and markings are visible.** If mounting to an uneven surface, apply appropriate sealant around the backplate to supplement rubber seal. Align holes in escutcheon (5) with cartridges and slide escutcheon (5) onto backplate. Secure escutcheon by threading trim nut (6) onto diverter sleeve. Do not overtighten. Slide diverter trim sleeve (7) over trim nut and secure into position with set screw (8). **For thick wall installation, an optional extension kit is available to accommodate up to 1" of additional wall thickness. Order RP91022▲ & RP92548.**



Volume Handle Installation

Slide volume control handle (9) over cartridge, aligning flat surfaces inside handle with flat surfaces on side of cartridge. Handle lever should point downward (6 o'clock) in the off position. Secure handle with set screw (10) and press button (11) cover into hole.

Installation and Adjustment of the Temperature Handle. Failure to do so may cause injury. Please complete the following steps carefully.



Adjust temperature limit stop

Turn on water supplies; **LET WATER RUN AT FULL HOT TO ENSURE WATER IS AS HOT AS POSSIBLE.** Place a thermometer in a plastic tumbler and hold tumbler in water stream. Aligning the splines, place temperature handle (1) onto end of cartridge stem (2). Rotate handle until desired maximum temperature is achieved

(not more than 120° or lower, as mandated by local plumbing code).

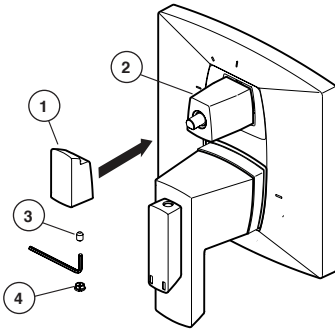
Remove temperature handle (1). Replace handle onto cartridge stem with handle limit stop (4) against volume handle limit stop (3), as shown. Secure temperature handle with set screw (5) and press button cover (6) into hole.

75 Series Installation

3

Valve Trim Installation

E.



Diverter Handle Installation

Insert diverter handle (1) onto trim sleeve (2). Using an allen wrench, insert set screw (3) into handle (1). Applying pressure, insert set screw cover (4) until properly seated.

4

Potential scald or thermal shock injury could result due to cross flow if outlet at the shower is blocked or restricted (e.g., pause control on showerhead). Be sure to point showerhead away from you when re-starting flow or install inlet check valves on both supply lines to prevent possible injury.

75 Series Maintenance

Cannot receive more than a trickle of water:

Both hot and cold supply lines must be pressurized. If only one side is pressurized, the system will not allow adequate flow of water.

Faucet leaks from showerhead: Remove the showerhead then turn the water on and off to verify if the cartridge is leaking or the showerhead is draining slowly (the showerhead may need to be cleaned if water drains slowly).

If leak persists -SHUT OFF WATER SUPPLIES
Replace cartridge assembly - RP47201.

Unable to set or maintain mixed water temperature:

SHUT OFF WATER SUPPLIES. Remove handle assembly, trim sleeve, and bonnet nut. Check to make sure the "H" marking on the cartridge aligns with the hot inlet and the "C" marking on the cartridge aligns with the cold inlet to the valve body. The thermostatic cartridge cannot function if hot and cold inlets are reversed.

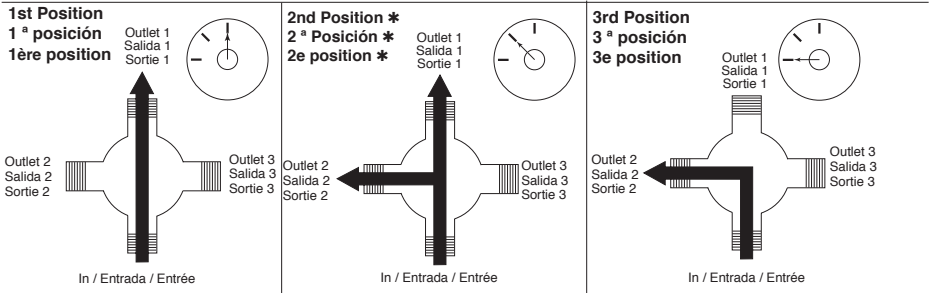
Low flow:

Low flow may be caused by clogged screens within the thermostatic cartridge. To clean the hot and cold screens in the cartridge, follow the steps below:

1. SHUT OFF WATER SUPPLIES.
2. Remove the handle assembly.
3. Unscrew the hex shaped portion of the cartridge from the brass section of the cartridge. the brass section must be held securely by the flats while the hex is rotated counter-clockwise. Failure to secure the brass section while rotating the hex can result in damage to the cartridge. (See illustration below)
4. Carefully clean any debris from the screens under running water. If the debris is difficult to remove then soak the screens overnight in a 50% water and 50% vinegar solution.
5. Reassemble the cartridge.
6. Replace the handle.
7. Turn the water back on.
8. Reset the limit stop before using the valve.

Diverter Handle Reference Sheet

Water Flow For 3 Function Diverter / Flujo de agua para Desviadores de 3 posiciones / Écoulement de l'eau pour les inverseurs à 3 positions

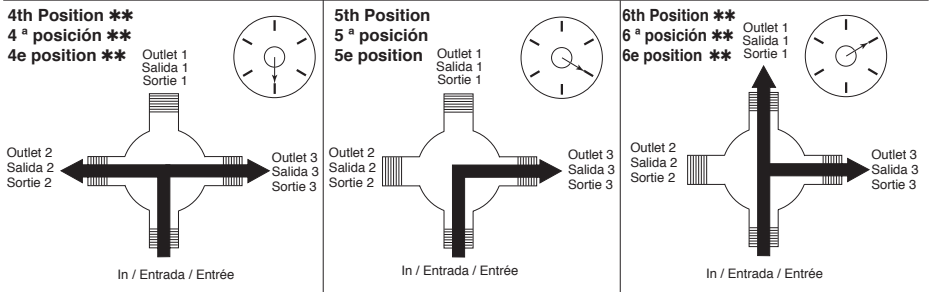
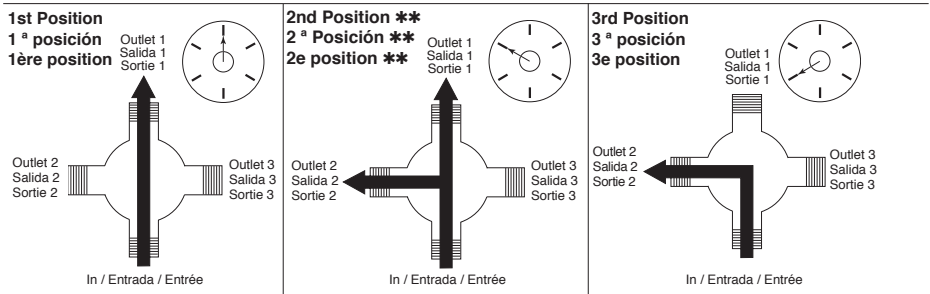


* Shared positions do not exist in non-shared cartridges.

* Los ajustes o posiciones compartidas no existen en los cartuchos no-compartidos.

* Comme leur nom l'indique, les cartouches sans position partagée ne comportent aucune position partagée.

Water Flow For 6 Function Diverter / Flujo de agua para Desviadores de 6 posiciones / Écoulement de l'eau pour les inverseurs à 6 positions



** Shared positions do not exist in non-shared cartridges.

** Los ajustes o posiciones compartidas no existen en los cartuchos no-compartidos.

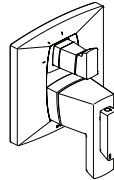
** Comme leur nom l'indique, les cartouches sans position partagée ne comportent aucune position partagée.

Manual para propietarios Serie 75

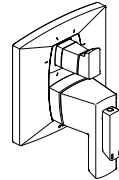
Escriba el número del modelo comprado.

Para una fácil instalación de su llave de agua/
grifo Brizo® va a necesitar:

- **LEER TODAS** las instrucciones completamente antes de comenzar.
- **LEER TODAS** las advertencias, cuidados, e información de mantenimiento.



T75588-▲



T75688-▲

Puede necesitar

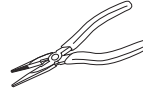
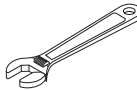
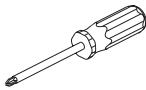


Tabla de contenido:

Garantía	Página 2
Instrucciones de instalación	Páginas 3 - 6
Mantenimiento	Página 7
Piezas de repuesto	Páginas 9 - 10

ADVERTENCIA: Este sistema/dispositivo debe estar configurado por el instalador para asegurar una temperatura máxima segura. Cualquier cambio en el ajuste puede aumentar la temperatura de descarga por encima del límite considerado seguro y puede resultar en quemaduras por agua caliente.

AVISO PARA EL INSTALADOR: ¡ATENCIÓN! Como el instalador de esta válvula, es su responsabilidad de **INSTALAR** y **AJUSTAR** correctamente esta válvula según las instrucciones proporcionadas. Esta válvula no se ajusta automáticamente a los cambios de temperatura de entrada, por lo tanto, alguien debe hacer los ajustes necesarios con la perilla de control de temperatura en el momento de la instalación y ajustes adicionales pueden ser necesarios debido a cambios estacionales de la temperatura del agua. **USTED DEBE informar al propietario/ usuario de este requisito siguiendo las instrucciones.** Si usted o el dueño/consumidor no está seguro de como hacer estos ajustes, **consulte la página 5** y si aún tiene duda, llámenos al 1-877-345-BRIZO (2749).

Después de la instalación y el ajuste, debe colocar su nombre, nombre de la empresa y la fecha en que ajustó la perilla de control de la temperatura a la etiqueta de precaución proporcionada y aplique o pegue la etiqueta en

la parte trasera de la puerta del armario más cercano y la etiqueta de advertencia al calentador de agua. **Deje esta hoja de instrucciones para referencia del propietario /usuario.**

ADVERTENCIA: Esta válvula termostática de baño está diseñada para minimizar los efectos de los cambios de temperatura del agua de salida debido a cambios de presión y temperatura, causados habitualmente por los lavaplatos, las lavadoras, los inodoros y otros aparatos similares. Puede no ofrecer protección contra las quemaduras por agua caliente cuando hay un fallo de otros dispositivos para el control de temperatura en otras partes del sistema de plomería, si la perilla para el control de la temperatura no está configurada correctamente o si se cambia la temperatura del agua caliente después de realizar los ajustes o si el agua admisión cambia debido a los cambios estacionales.

ADVERTENCIA: No instale un dispositivo de cierre en cualquiera de las tuberías de salida de agua de esta válvula. Cuando este tipo de dispositivo cierra el flujo del agua, pueda aminorar el propósito de la válvula para balancear las presiones del agua caliente y fría.

Garantía Limitada de las llaves de agua/grifos Brizo®

Piezas y Acabado

Todas las piezas (menos las piezas electrónicas y las pilas) y acabados de esta llave de agua - grifo Brizo® están garantizados al consumidor comprador original, de estar libres de defectos en materiales y mano de obra durante el tiempo que el comprador original sea dueño de la casa en la cual la llave de agua fue instalada por primera vez o, **para los usuarios comerciales, por cinco (5) años desde la fecha de compra.**

Piezas electrónicas y las baterías/pilas (si aplicable)

Las piezas electrónicas (excepto las baterías), sea el caso, de este grifo Brizo® están garantizadas al consumidor comprador original, de estar libres de defectos en materiales y mano de obra durante 5 años desde la fecha de compra o, para los usuarios comerciales, durante un año desde la fecha de compra. La garantía no cubre las baterías.

Brizo Kitchen & Bath Company reparará o reemplazará. SIN COSTO ALGUNO, durante el período de garantía aplicable, cualquier pieza o acabado que presente defectos en materiales y/o mano de obra bajo instalación, uso y servicio normal. Si la reparación o sustitución no es práctica, Brizo Kitchen & Bath Company podrá optar reintegrarle el precio de la compra a cambio de la devolución del producto. **Estos son sus únicos recursos.**

Brizo Kitchen & Bath Company recomienda que use un plomero profesional para todas las instalaciones y reparación. También recomienda que utilice sólo piezas de repuesto Brizo®.

Brizo Kitchen & Bath Company no será responsable de cualquier daño a la llave de agua/grifo resultante del uso indebido, abuso, negligencia o uso inapropiado o instalación realizada de forma incorrecta, mantenimiento o reparación, incluyendo el no seguir las instrucciones de cuidado y limpieza aplicables.

Las piezas de repuesto se pueden obtener llamando al número que figura más abajo o escribiendo a:

En los Estados Unidos y Mexico:

Brizo Kitchen & Bath Company
Product Service
55 E. 111th Street
Indianapolis, IN 46280
1-877-345-BRIZO (2749)
brizosupport@brizo.com

En Canadá:

Masco Canada Limited, Plumbing Group
Technical Service Centre
350 South Edgeware Road
St. Thomas, Ontario, Canada N5P 4L1
1-877-345-BRIZO (2749)
customerservice@mascocanada.com

La prueba de compra (recibo original de venta) del comprador original debe ponerse a la disposición de Brizo Kitchen & Bath Company para todos los reclamos de garantía a menos que el comprador haya registrado el producto con Brizo Kitchen & Bath Company. Esta garantía se aplica solamente a las llaves de agua/grifos Brizo® fabricadas después de 1 de enero de 1995 e instalados en los Estados Unidos de América, Canadá y México.

BRIZO KITCHEN & BATH COMPANY NO SERÁ RESPONSABLE POR DAÑOS ESPECIALES, INCIDENTALES O CONSECUENTES (INCLUYENDO CARGOS DE LABOR) YA SEAN RESULTANTES DEL INCUMPLIMIENTO DE CUALQUIER GARANTÍA EXPRESA O IMPLÍCITA DE LA LLAVE DE AGUA/GRIFO. Algunos estados/provincias no permiten la exclusión o limitación de daños especiales, incidentales o consecuentes, por lo que estas limitaciones y exclusiones pueden no aplicarle en su caso. Esta garantía le otorga derechos legales especiales, y usted también puede tener otros derechos que varían de estado/provincia a estado/provincia.

Esta es la garantía exclusiva por escrito de Brizo Kitchen & Bath Company's, y la garantía no es transferible.

Si usted tiene alguna pregunta o inquietud acerca de nuestra garantía, por favor vea nuestra sección de Preguntas Frecuentes sobre la garantía www.Brizo.com, email us at brizosupport@brizo.com.

© 2017 Masco Corporación of Indiana

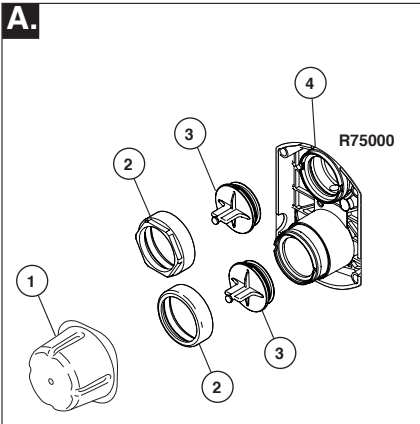
Limpieza y Cuidado

Se debe tener cuidado con la limpieza de este producto. Aunque su acabado es extremadamente resistente, puede ser dañado por abrasivos o pulimentos

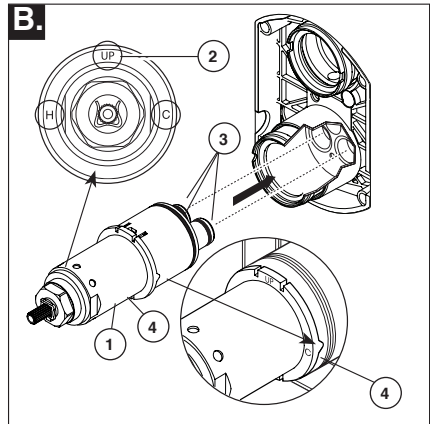
ásperos. Para limpiar, simplemente frote con un paño húmedo y seque con una toalla suave.

1

Instalación del cartucho

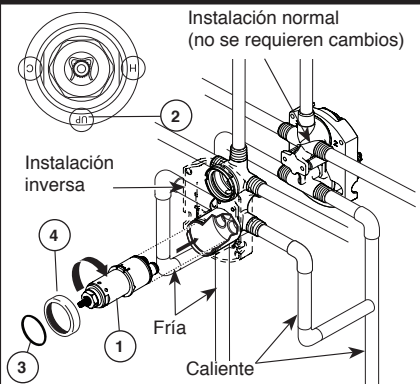


Cierre los suministros de agua. Quite la tapa (1), las tuercas tapas (2) y las tapas de prueba (3) del cuerpo de la tubería preliminar detrás de la pared (4). Coloque una cubeta o recipiente pequeño sobre el frente del cuerpo de la válvula y abra lentamente los suministros de agua para eliminar cualquier residuo de las líneas de suministro antes de instalar el cartucho. Cierre otra vez el agua de suministro.

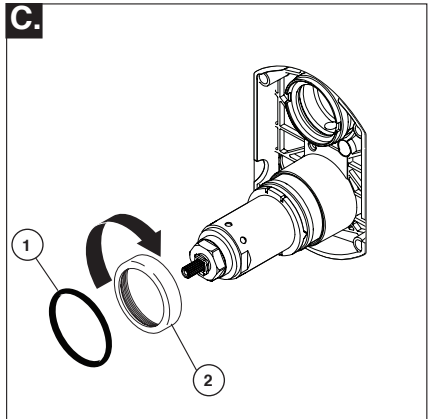


Gire el cartucho de la válvula (1) de manera que la palabra "UP" (2) aparezca en la parte superior. La "H" debe estar en el lado caliente y la "C" debe estar en el lado frío. Agregue lubricante de silicona a las tres juntas tóricas (3) que se muestran arriba para facilitar la instalación del cartucho y retirar del cuerpo de la válvula. Inserte el cartucho en el cuerpo de la válvula como se muestra. Asegúrese de que los dentados en el cuerpo están totalmente encajados en las ranuras en el cuerpo (4). La aplicación de una ligera capa de grasa de plomeros a las juntas tóricas puede facilitar el montaje.

Instalación de dorso con dorso



Solo para las excepciones de dorso con dorso o instalaciones inversas (caliente en la derecha y fría en la izquierda): Gire el cartucho de la válvula (1) de forma que la "H" esté en el lado caliente y la "C" en el lado frío y la palabra "UP" (2) aparece en la parte inferior. Aplique lubricante de silicona en las juntas tóricas mostradas para facilitar la instalación del cartucho y quitar del cuerpo de la tubería preliminar. Instale el cartucho asegurándose de que los dentados están totalmente encajados en la ranura en el cuerpo de la tubería preliminar (véase el paso B). Deslice la junta tórica (3) y la tuerca tapa (4) sobre el cartucho y enrosque en el cuerpo de la tubería preliminar. Apriete con la mano de forma segura.



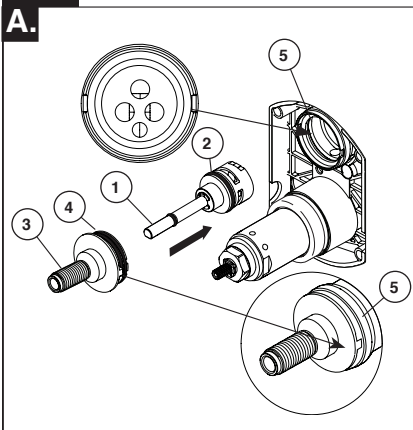
Enrosque la tuerca tapa (2) en el cartucho. Apriete a mano de forma segura. Deslice la junta tórica (1) sobre el cartucho y el casquete.

Instalación de la Series 75

2

Instalación del cartucho de desvío

A.



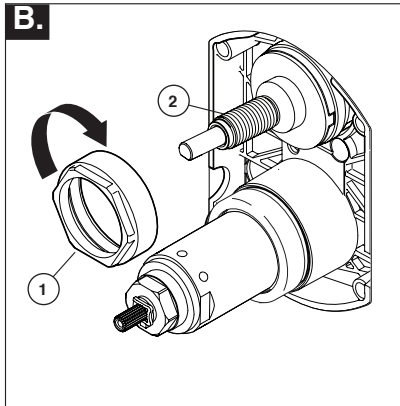
PARA LA INSTALACIÓN DEL CARTUCHO DE DESVÍO:

Aplique lubricante de silicona a la junta tórica (2) para facilitar la instalación del cartucho desviador con el casquillo desviador (3).

Gire el cartucho desviador (1) de manera que el pasador esté en la parte inferior para su correcta instalación. Aplique el lubricante de silicona a las juntas tóricas (4) para facilitar la instalación del cartucho desviador con el casquillo desviador (3).

Alinee el casquillo desviador de manera que las muescas estén en la misma posición que las muescas en el cuerpo de la tubería preliminar (5).

B.



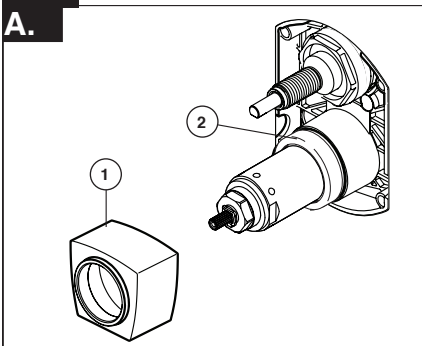
Instalación deslizable

Deslice la tuerca tapa (1) sobre el casquillo desviador (2) y enrosque en el cuerpo de la tubería preliminar. Apriete a mano de forma segura.

3

Instalación del accesorio

A.

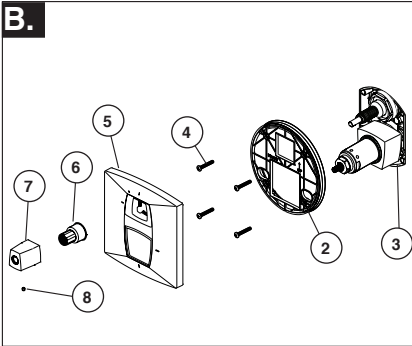


Instalación de la manga de accesorio

Deslice la manga de accesorio (1) sobre el cartucho, la tuerca tapa (2), y la junta tórica. Asegure que la manga esté adecuadamente colocada sobre el cartucho. La junta tórica ayudará a mantener la manga de accesorio fija en su sitio.

3

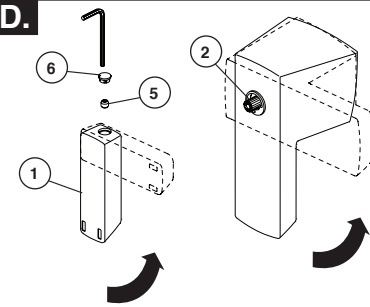
Instalación del accesorio



Instalación de la chapa de cubierta

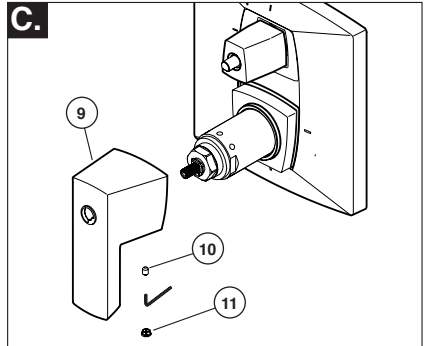
Fije la placa trasera (2) a la unidad de tubería preliminar interna (3) usando los 4 tornillos (4) proporcionados. Asegúrese de que la placa trasera esté orientada con el lado del frente hacia adelante. **Nota: asegúrese de que la placa trasera esté orientada con el frente hacia adelante y que las marcas son visibles.** Si se monta en una superficie irregular, aplique el sellador adecuado alrededor de la placa trasera para complementar la junta de goma. Alinee los agujeros en la chapa (5) con los cartuchos y deslice la chapa (5) en la placa trasera. Fije la chapa de cubierta roscando la tuerca de ajuste (6) en el manguito del desviador. No lo apriete demasiado. Deslice el manguito de ajuste del desviador (7) sobre la tuerca de ajuste y fíjelo con el tornillo de fijación (8). **Para la instalación en paredes gruesas, se dispone de un juego de piezas de extensión opcional para acomodar hasta 1" adicional de grosor de pared.** Ordene RP91022▲ y RP92548.

Instalación y ajuste de la manija para el control de la temperatura. De no hacerlo pudiera causar lesiones. Por favor, complete los siguientes pasos cuidadosamente.



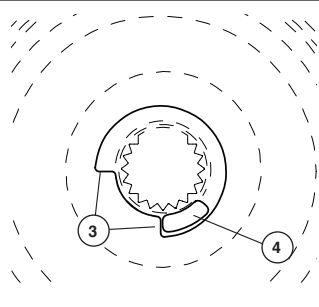
Ajuste el tope del límite de temperatura

Abra los suministros de agua; **DEJE QUE EL AGUA FLUYA COMPLETAMENTE CALIENTE PARA ASEGURAR QUE SALE LO MÁS CALIENTE POSIBLE.** Coloque un termómetro en un vaso de plástico y sostenga el vaso bajo el chorro de agua. Al alinear las ranuras, coloque la manija para controlar la temperatura (1) en el extremo de la espiga del cartucho (2). Gire la manija hasta que alcance la temperatura máxima



Instalación de la manija para el control del volumen de agua

Deslice el asa de la manija para el control del volumen de agua (9) sobre el cartucho, alineando las superficies planas dentro de la manija con las superficies planas en el lado del cartucho. La palanca de la manija debe apuntar hacia abajo (6 horas) en la posición cerrada "off". Fije la manija con el tornillo de fijación (10) y presione la cubierta del botón (11) en el orificio.



deseada (No más de 120° o menos, según lo dispuesto por el código de plomería local).

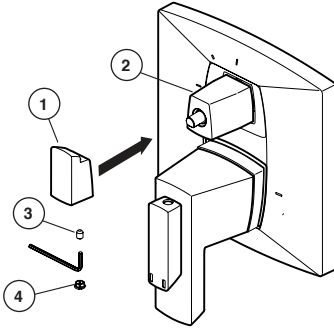
Retire la manija para el control de la temperatura (1). Vuelva a colocar la manija en la espiga del cartucho con la manija del tope del límite (4) contra el tope de la manija para el control del volumen (3), como se muestra. Fije la manija del control de temperatura con el tornillo de fijación (5) y presione la tapa del botón (6) en el orificio.

75 Series Installation

3

Instalación del mango desviador

E.



Instalación de la manija para el desvío

Introduzca la manija para el desvío (1) en la manga de accesorio (2). Usando una llave allen, introduzca el tornillo de ajuste (3) en la manija (1). Presionando, introduzca la tapa del tornillo de ajuste (4) hasta que quede adecuadamente asentada.

4

Pueden producirse escaldaduras o lesiones por choque térmico debido al flujo cruzado si la salida de la ducha o regadera está bloqueada o restringida (ej., Control de pausa en la cabezal de la regadera/ducha). Asegúrese de apuntar la cabeza de la regadera lejos de usted cuando reinicie el flujo o instale las válvulas de retención de entrada en ambas líneas de suministro para evitar posibles lesiones.

No puede recibir más que un chorrito de agua:

Ambas líneas de suministro de agua fría y la caliente deben estar presurizadas. Si sólo se presuriza un lado, el sistema no permitirá un flujo adecuado de agua.

Filtraciones o fugas desde la cabeza de la regadera o ducha:

Retire la cabeza de la regadera y abra y cierre el agua para verificar si el cartucho está goteando o la cabeza de la regadera está drenando lentamente (si el agua drena lentamente la cabeza de la regadera puede requerir limpieza).

Si la filtración persiste - CIERRE LOS SUMINISTROS DE AGUA. Sustituya el ensamble del cartucho - RP47201.

No puede establecer o mantener la temperatura del agua mezclada:

CIERRE LOS SUMINISTROS DE AGUA. Retire el ensamble de la manija, el manguito de ajuste y la tuerca tapa. Verifique que la marca "H" en el cartucho esté alineada con la entrada del agua caliente y la marca "C" en el cartucho esté alineada con la entrada de agua fría al cuerpo de la válvula. El cartucho termostático no puede funcionar si las entradas calientes y frías están invertidas.

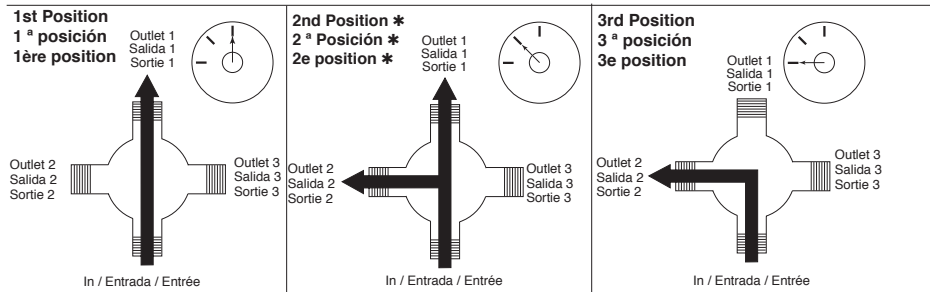
Flujo bajo:

El flujo bajo puede causar que las rejillas se atasquen dentro el cartucho termostático. Para limpiar as rejillas del agua caliente y del agua fría dentro del cartucho siga los pasos a continuación:

1. **CIERRE LOS SUMINISTROS DE AGUA.**
2. Retire el ensamble de la manija.
3. Desenrosque la porción hexagonal del cartucho de la sección de bronce o latón del cartucho. La sección de bronce debe ser sostenida firmemente por las partes chatas mientras que gira la pieza hexagonal en sentido contrario a las agujas del reloj. Si no se asegura la sección de bronce mientras gira el hexágono, puede dañar el cartucho. (Vea la ilustración a continuación)
4. Limpie cuidadosamente los residuos de las pantallas bajo el chorro del agua. Si los residuos son difíciles de eliminar, deje en remojo las pantallas durante la noche en una solución de 50% de agua y 50% de vinagre.
5. Vuelva a montar el cartucho.
6. Vuelva a colocar la manija.
7. Vuelva a abrir el agua.
8. Restablezca la parada del límite antes de utilizar la válvula.

Hoja de referencia para la manija desviadora

Water Flow For 3 Function Diverter / Flujo de agua para Desviadores de 3 posiciones / Écoulement de l'eau pour les inverseurs à 3 positions

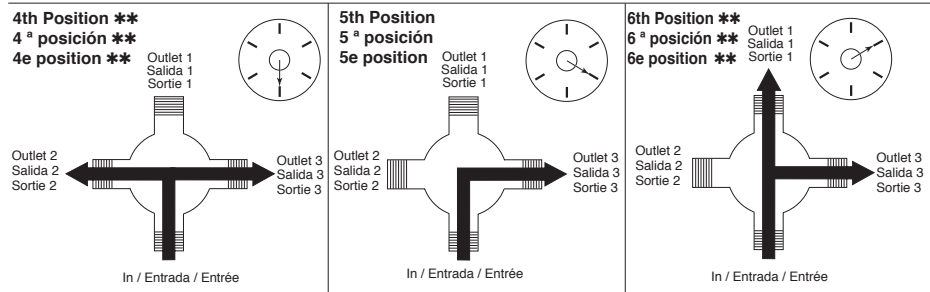
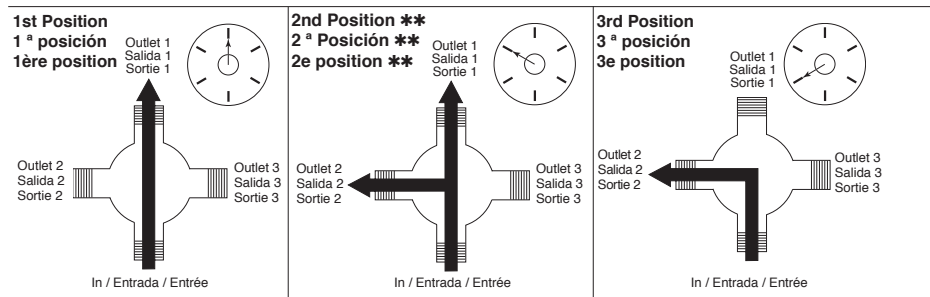


* Shared positions do not exist in non-shared cartridges.

* Los ajustes o posiciones compartidas no existen en los cartuchos no-compartidos.

* Comme leur nom l'indique, les cartouches sans position partagée ne comportent aucune position partagée.

Water Flow For 6 Function Diverter / Flujo de agua para Desviadores de 6 posiciones / Écoulement de l'eau pour les inverseurs à 6 positions



** Shared positions do not exist in non-shared cartridges.

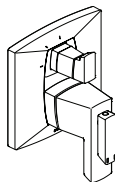
** Los ajustes o posiciones compartidas no existen en los cartuchos no-compartidos.

** Comme leur nom l'indique, les cartouches sans position partagée ne comportent aucune position partagée.

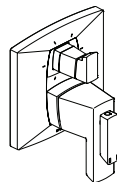
Inscrivez le numéro du modèle acheté ici

Pour installer votre robinet Brizo® facilement, vous devez:

- **LIRE TOUTES** les instructions complètement avant de débiter.
- **LIRE TOUS** les avertissements ainsi que toutes les instructions de nettoyage et d'entretien.



T75588-▲



T75688-▲

Ce dont vous pouvez avoir besoin

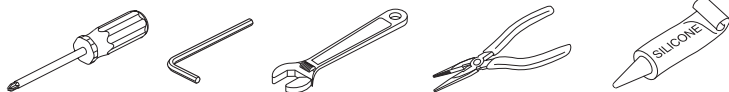


Table des matières:

Garantie	Página 2
Instructions d'installation	Páginas 3 - 6
Maintenance	Página 7
Pièces de rechange	Páginas 9 - 10

ATTENTION: Ce système ou cet appareil doit être réglé par l'installateur pour que sa température maximale soit sans danger. Tout changement du réglage peut entraîner une hausse de température au delà de la limite considérée sécuritaire et occasionner l'ébouillantage.

AVIS À L'INSTALLATEUR: ATTENTION! - En qualité d'installateur de cette soupape, vous avez la responsabilité de L'INSTALLER et de la RÉGLER correctement selon les instructions fournies. Cette soupape ne s'adapte pas automatiquement aux fluctuations de la température de l'eau d'alimentation. Par conséquent, il faut régler le bouton de température maximale au moment de l'installation et il peut être nécessaire de faire de nouveaux réglages par la suite en raison des fluctuations saisonnières de la température de l'eau. **VOUS DEVEZ** informer le propriétaire ou l'utilisateur de cette exigence. En cas de doute quant à la marche à suivre pour faire ces réglages, veuillez consulter la page 5 Si vous avez encore des doutes, veuillez appeler au 1-877-345-BRIZO (2749).

Après avoir terminé l'installation et le réglage, vous devez inscrire, sur l'étiquette de mise en garde fournie, votre nom, le nom de votre entreprise et la date à laquelle vous avez réglé le bouton de température maximale, puis fixer l'étiquette à l'endos de la porte de la coiffeuse. Vous

devez également fixer l'étiquette d'avertissement au chauffe-eau. **Veuillez laisser ce feuillet d'instructions au propriétaire ou à l'utilisateur pour qu'il puisse le consulter au besoin.**

MISE EN GARDE: Ce robinet thermostatique à équilibrage de pression pour baignoire est conçu pour limiter les effets des fluctuations de température de l'eau causées par les variations de la pression d'alimentation attribuables au fonctionnement d'un lave-vaisselle, d'une machine à laver, d'un cabinet d'aisances ou d'un autre appareil qui consomme de l'eau. Il peut ne pas protéger l'utilisateur contre l'échaudage en cas de défectuosité d'un autre dispositif de régulation de la température, de réglage erroné du bouton de température maximale, de modification de la température de l'eau chaude après le réglage du bouton de température maximal ou de fluctuation saisonnière de la température de l'eau d'alimentation.

MISE EN GARDE: N'installez pas de dispositif d'arrêt sur une sortie quelconque de cette soupape. En interrompant l'écoulement de l'eau, ce dispositif peut empêcher la soupape d'équilibrer les pressions d'eau chaude et d'eau froide.

Garantie limitée sur les robinets Brizo®

Pièces et finis

Toutes les pièces et tous les finis de ce robinet Brizo® sont protégés contre les défauts du matériau et les vices de fabrication par une garantie qui est consentie au premier acheteur et qui demeure valide tant que celui-ci demeure propriétaire de la maison dans laquelle l'accessoire a été installé. **Dans le cas d'une utilisation commerciale, la garantie est de 5 ans à compter de la date d'achat.**

Composants électroniques et piles (le cas échéant)

Si ce robinet Brizo® comporte des composants électroniques, ces composants (à l'exception des piles) sont protégés contre les défauts du matériau et les vices de fabrication par une garantie consentie au premier acheteur qui est d'une durée de 5 ans à compter de la date d'achat. Dans le cas d'une utilisation commerciale, la garantie est d'un an à compter de la date d'achat. Aucune garantie ne couvre les piles.

Pendant la période de garantie applicable, Brizo Kitchen & Bath Company réparera ou remplacera GRATUITEMENT toute pièce qui présentera une défektivité de matériau et/ou un vice de fabrication pour autant que le produit ait été installé, utilisé et entretenu normalement. S'il est impossible de réparer ou de remplacer le produit, Brizo Kitchen & Bath Company pourra rembourser le prix d'achat en échange du produit retourné. **Il s'agit de vos seuls recours.**

Brizo Kitchen & Bath Company recommande de confier l'installation et la réparation à un plombier professionnel. Nous vous recommandons également d'utiliser uniquement des pièces de rechange d'origine Brizo®.

Brizo Kitchen & Bath Company se dégage de toute responsabilité à l'égard de toute détérioration du produit résultant d'une usure raisonnable et des dommages causés par un mauvais usage, un usage abusif, la négligence ou l'utilisation d'une méthode d'installation, de maintenance ou de réparation incorrecte ou inadéquate, y compris les dommages résultant du non-respect des instructions de nettoyage et d'entretien applicables.

Vous pouvez obtenir des pièces de rechange en appelant au numéro de téléphone ci-dessous ou en écrivant à :

Aux États-Unis et au Mexique:

Brizo Kitchen & Bath Company
Product Service
55 E. 111th Street
Indianapolis, IN 46280
1-877-345-BRIZO (2749)
brizosupport@brizo.com

Au Canada:

Masco Canada Limited, Groupe plomberie
Centre de services techniques
350 South Edgware Road
St. Thomas, Ontario, Canada N5P 4L1
1-877-345-BRIZO (2749)
customerservice@mascoCanada.com

La preuve d'achat (reçu original) du premier acheteur doit être présentée à Brizo Kitchen & Bath Company pour toutes les demandes en vertu de la garantie, sauf si le produit a été enregistré auprès de Brizo Kitchen & Bath Company. La présente garantie s'applique uniquement aux accessoires Brizo® installés aux États-Unis d'Amérique, au Canada et au Mexique.

BRIZO KITCHEN & BATH COMPANY SE DÉGAGE DE TOUTE RESPONSABILITÉ À L'ÉGARD DES DOMMAGES PARTICULIERS, CONSÉCUTIFS ET INDIRECTS (Y COMPRIS LES FRAIS DE MAIN-D'ŒUVRE) QUI DÉCOULENT D'UNE RUPTURE D'UNE GARANTIE IMPLICITE OU EXPLICITE DU ROBINET. Dans les États ou les provinces où il est interdit d'exclure ou de limiter les dommages particuliers, consécutifs ou indirects, les exclusions ou les limites susmentionnées ne s'appliquent pas. La présente garantie vous procure des droits particuliers reconnus par la loi. Vous pouvez avoir d'autres droits qui varient selon l'État ou la province.

La présente garantie écrite est la seule garantie offerte par Brizo Kitchen & Bath Company et elle n'est pas transférabile.

Si vous avez des questions ou des préoccupations en ce qui concerne notre garantie, veuillez consulter la page Warranty FAQs à www.Brizo.com, nous faire parvenir un courriel à brizosupport@brizo.com ou nous appeler au numéro applicable.

© 2017 Division de Masco Indiana

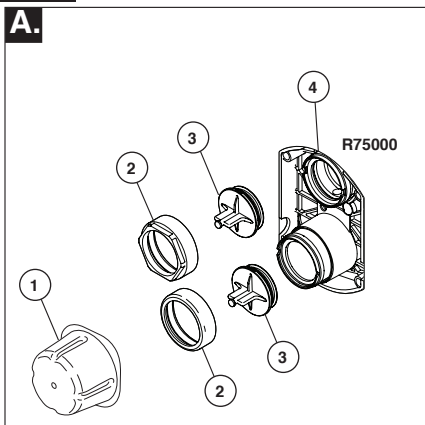
Nettoyage et entretien

Ce produit doit être nettoyé avec soin. Bien que le fini soit extrêmement durable, il peut être abîmé par des agents de polissage puissants ou des nettoyeurs fortement abrasifs.

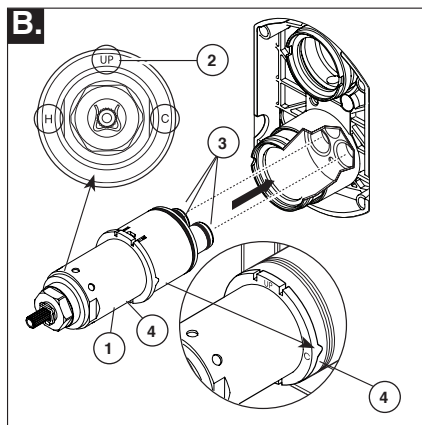
Pour le nettoyer, il suffit de le frotter doucement avec un chiffon humide, puis de l'éponger avec une serviette douce.

1 Installation de la cartouche

1

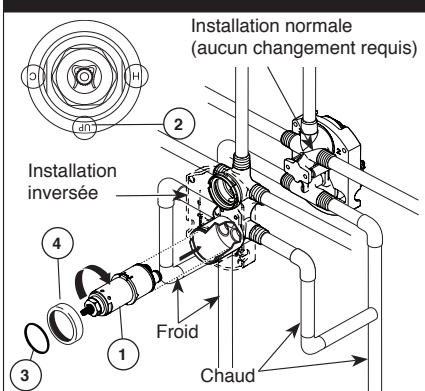


Fermez les robinets d'alimentation. Retirez le capuchon (1), les écrous-chapeaux (2) et les capuchons d'essai (3) du corps de robinetterie brute (4) R75000. Placez un seau ou un petit contenant sur l'avant du corps de soupape et ouvrez lentement les robinets d'arrêt pour évacuer les corps étrangers de la tuyauterie avant d'installer la cartouche. Fermez de nouveau les robinets d'arrêt.



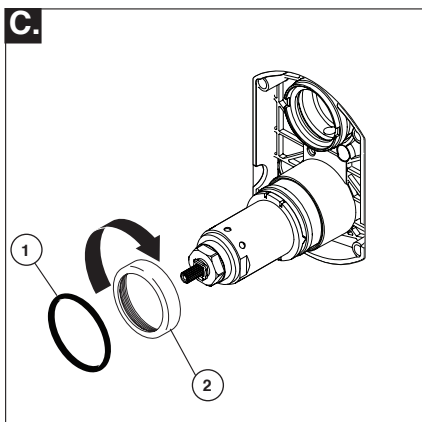
Tournez la cartouche (1) de sorte que la mention « UP » (2) se trouve sur le dessus. La lettre « H » doit se trouver du côté eau chaude et la lettre « C », du côté eau froide. Ajoutez du lubrifiant à base de silicone aux trois joints toriques (3) montrés ci-dessus pour faciliter la pose de la cartouche dans le corps de soupape et sa dépose. Introduisez la cartouche dans le corps de soupape comme le montre la figure. Assurez-vous que les ergots sont parfaitement engagés dans les rainures du corps (4). Vous pouvez enduire les joints toriques d'un peu de graisse de plomberie pour faciliter l'assemblage.

Back to back Installation



Dans le cas d'une installation dos à dos ou inversée (eau chaude à droite et eau froide à gauche) seulement : tournez la cartouche (1) de sorte que la lettre « H » se trouve du côté eau chaude, la lettre « C », du côté eau froide et le mot « UP » (2), vers le bas. Ajoutez du lubrifiant à base de silicone aux trois joints toriques montrés ci-dessus pour faciliter la pose de la cartouche dans le corps de robinetterie brute et sa dépose.

Installez la cartouche en prenant soin d'introduire les ergots entièrement dans les rainures du corps de robinetterie brute (reportez-vous à l'étape B). Glissez le joint torique (3) et l'écrou-chapeau (4) sur la cartouche et vissez-le sur le



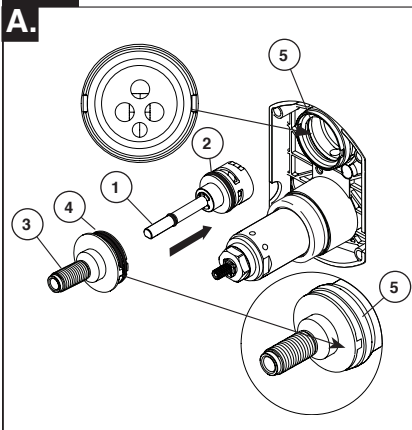
Vissez l'écrou-chapeau (2) sur la cartouche. Serrez à la main solidement. Glissez le joint torique (1) sur la cartouche et le chapeau.

Instructions d'installation - série 75

Installation de la cartouche de l'inverseur

2

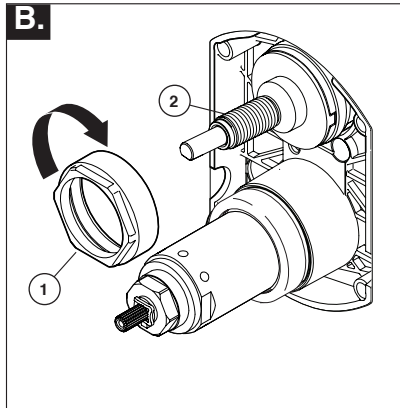
A.



INSTALLATION DE LA CARTOUCHE DE L'INVERSEUR

Ajoutez du lubrifiant à base de silicone au joint torique (2) pour faciliter la pose du manchon de l'inverseur (3) et la cartouche de l'inverseur. Vous pouvez enduire les joints toriques (4) d'un peu de graisse de plomberie pour faciliter l'assemblage. Tournez la cartouche de l'inverseur (1) en prenant soin de faire correspondre l'ergot de débrayage au bas de la cartouche avec le trou dans le corps de robinet brut. Ajoutez du lubrifiant à base de silicone aux joints toriques (4) pour faciliter la pose du manchon de l'inverseur (3) dans la cartouche de l'inverseur. Installez le manchon de l'inverseur en prenant soin de faire correspondre les encoches avec les rainures dans le corps de robinetterie brute (5).

B.



Installation de l'écrou-chapeau

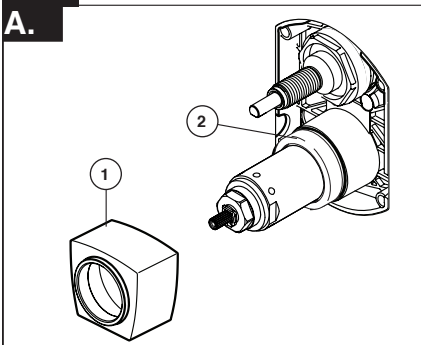
Glissez l'écrou-chapeau (1) sur le manchon de l'inverseur (2) et vissez-le sur le corps de robinetterie brute.

Serrez-le à la main solidement.

3

Installation des garnitures

A.

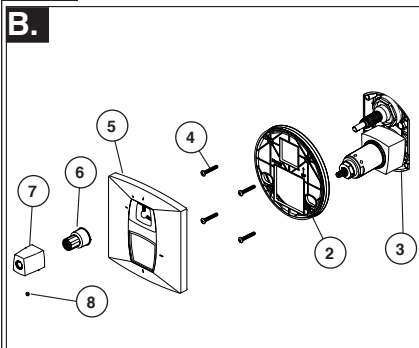


Installation du manchon de finition

Glissez le manchon de finition (1) sur la cartouche, le chapeau (2) et le joint torique. Assurez-vous que le manchon est positionné correctement sur la cartouche. Le joint torique maintiendra le manchon de finition en place.

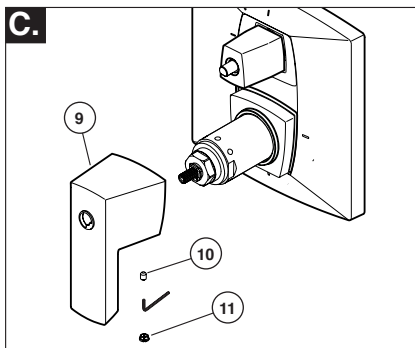
3

Installation des garnitures



Installation de la plaque de finition

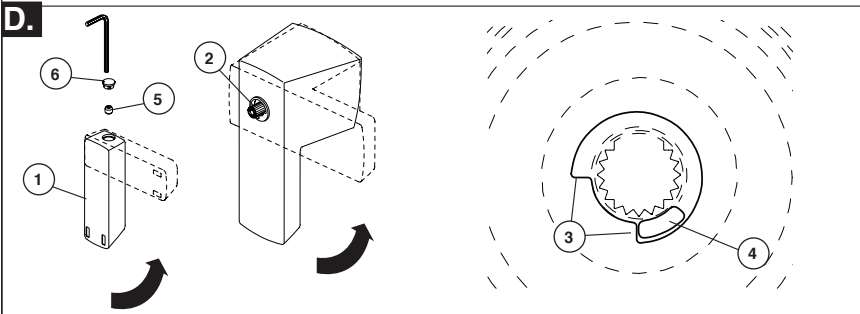
Fixez la plaque arrière (2) au corps de robinetterie (3) à l'aide des 4 vis (4) fournies. **Assurez-vous que la face avant de la plaque arrière est orientée vers l'avant.** Note : **Assurez-vous que la face avant de la plaque arrière est orientée vers l'avant et que les inscriptions sont visibles.** Si la surface est inégale, appliquez du composé d'étanchéité autour de la plaque arrière pour garantir l'étanchéité. Alignez les trous de la plaque de finition (5) avec les cartouches et glissez la plaque de finition (5) sur la plaque arrière. Fixez la plaque de finition en vissant l'écrou de finition (6) sur le manchon de finition de l'inverseur. Prenez garde de trop serrer. Glissez le manchon de finition (7) de l'inverseur sur l'écrou de finition et fixez-le avec la vis de calage (8). **Pour une installation dans un mur épais, commandez les trousseaux de rallonge optionnelles RP91022 et RP92548 qui autorisent une épaisseur de mur supplémentaire de 1 po.**



Installation de la manette de débit

Glissez la manette de débit (9) sur la cartouche en alignant les surfaces planes à l'intérieur de la manette avec les surfaces planes sur le côté de la cartouche. La manette-levier doit être orientée vers le bas (à 6 heures) en position de fermeture. Fixez la manette avec la vis de calage (10) et appuyez sur le capuchon (11) pour l'insérer dans le trou.

Installation et réglage de la manette de température. Il y a risque de blessure si la manette de température n'est pas réglée. Veuillez suivre soigneusement les étapes suivantes.



Réglez la butée de température maximale

Ouvrez les robinets d'arrêt. LAISSEZ L'EAU CHAUDE COULER À FOND JUSQU'À CE QU'ELLE SOIT AUSSI CHAUDE QUE POSSIBLE. Placez un thermomètre dans un gobelet en plastique et tenez le gobelet dans le jet d'eau. En alignant les cannelures, placez la manette de température (1) sur l'extrémité de la tige de la cartouche (2). Tournez la manette jusqu'à ce que vous obteniez la température maximale voulue (pas plus de

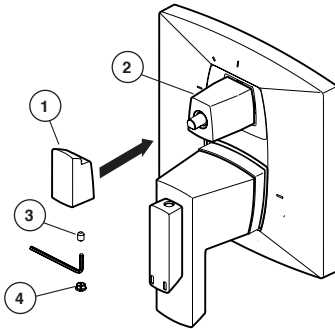
120 °F ou température maximale prescrite par le code de plomberie de votre région si elle est plus basse). Enlevez la manette de température (1) et remplacez-la sur la tige de la cartouche de manière que la butée de température (4) s'appuie contre la butée de la manette de débit (3), comme le montre la figure. Fixez la manette de température avec la vis de calage (5) et introduisez le capuchon (6) dans le trou.

75 Series Installation

3

Installation des garnitures

E.



Installation de la manette de l'inverseur

Insérez la manette de l'inverseur (1) sur le manchon de finition (2). Au moyen d'une clé Allen, serrez la vis de calage (3) dans la manette (1), puis en exerçant une pression, insérez le capuchon de la vis de calage (4) jusqu'à ce qu'il soit bien calé.

4

Possibilité d'ébouillantage ou de choc thermique pouvant causer des lésions en raison d'une inversion de la circulation de l'eau si la sortie de la douche est bloquée ou restreinte (p. ex. : circulation bloquée par la commande d'arrêt sur la pomme de douche). Avant d'ouvrir le robinet, déplacez la pomme de douche pour ne pas vous faire arroser. Vous pouvez également installer des clapets de non-retour sur les deux tuyaux d'alimentation pour éliminer les risques de blessures.

L'eau ne s'écoule qu'en un mince filet :

Les conduites d'eau chaude et d'eau froide doivent être toutes les deux sous pression. Si seulement un côté est sous pression, le débit d'eau à la sortie du système sera insuffisant.

La pomme de douche fuit : Retirez la pomme de douche, puis ouvrez et fermez les robinets d'arrêt et vérifiez si la cartouche fuit ou si la pomme de douche se vide lentement (la pomme de douche peut avoir besoin d'un nettoyage si elle se vide lentement).

Si la fuite persiste - FERMEZ LES ROBINETS D'ARRÊT. Remplacez la cartouche - RP47201.

Incapacité de régler ou de maintenir la température de l'eau mitigée :

FERMEZ LES ROBINETS D'ARRÊT. Retirez la manette, le manchon de finition et l'écrou-chapeau. Assurez-vous que la lettre « H » qui figure sur la cartouche est orientée vers l'entrée d'eau chaude et que la lettre « C » est orientée vers l'entrée d'eau froide du corps de soupape. La cartouche thermostatique ne fonctionnera pas si l'entrée d'eau chaude et l'entrée d'eau froide sont inversées.

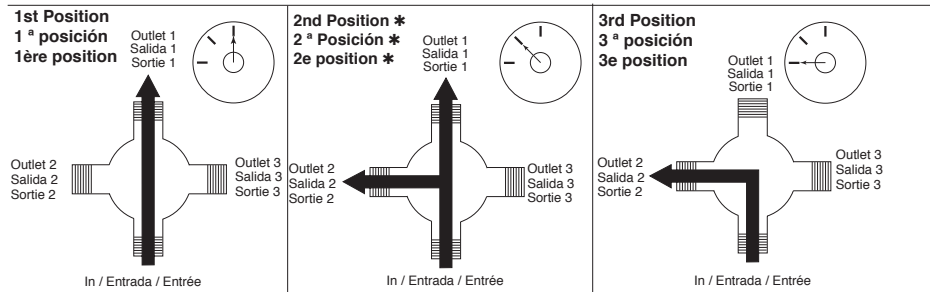
Faible débit :

Un faible débit peut être attribuable à des filtres métalliques obstrués à l'intérieur de la cartouche thermostatique. Pour nettoyer les filtres métalliques d'eau chaude et d'eau froide à l'intérieur de la cartouche, suivez les étapes suivantes :

1. FERMEZ LES ROBINETS D'ARRÊT.
2. Enlevez la manette.
3. Dévissez la partie hexagonale de la cartouche de la section en laiton de la cartouche. Tenez solidement la section en laiton par les méplats pendant que vous tournez la partie hexagonale dans le sens antihoraire. Si vous ne tenez pas la section en laiton assez solidement, la cartouche risque d'être endommagée. (Voir l'illustration ci-dessous).
4. Nettoyez soigneusement les filtres métalliques en faisant couler de l'eau au travers pour évacuer les saletés. Si les saletés sont difficiles à enlever, faites tremper les filtres métalliques toute la nuit dans une solution composée à part égales d'eau et de vinaigre.
5. Remontez la cartouche.
6. Replacez la manette.
7. Ouvrez les robinets d'arrêt.
8. Remettez la butée de température maximale à sa position initiale avant d'utiliser le robinet.

Feuille de référence de la poignée de déviation

Water Flow For 3 Function Diverter / Flujo de agua para Desviadores de 3 posiciones / Écoulement de l'eau pour les inverseurs à 3 positions

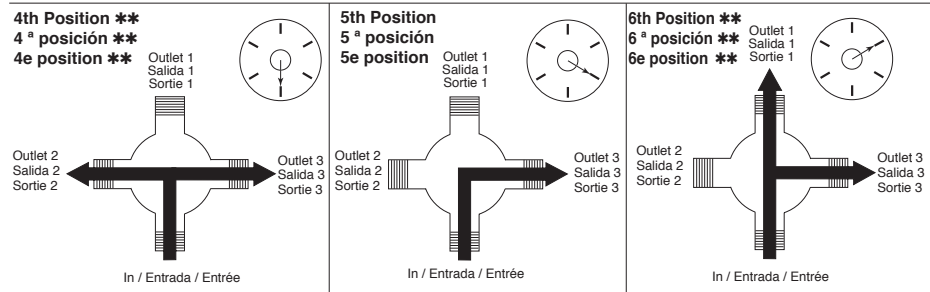
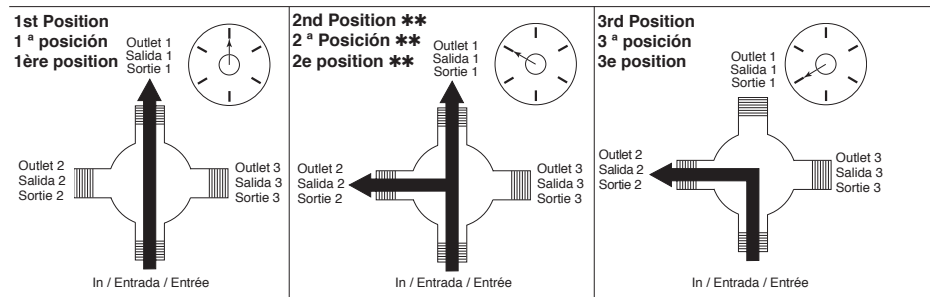


* Shared positions do not exist in non-shared cartridges.

* Los ajustes o posiciones compartidas no existen en los cartuchos no-compartidos.

* Comme leur nom l'indique, les cartouches sans position partagée ne comportent aucune position partagée.

Water Flow For 6 Function Diverter / Flujo de agua para Desviadores de 6 posiciones / Écoulement de l'eau pour les inverseurs à 6 positions

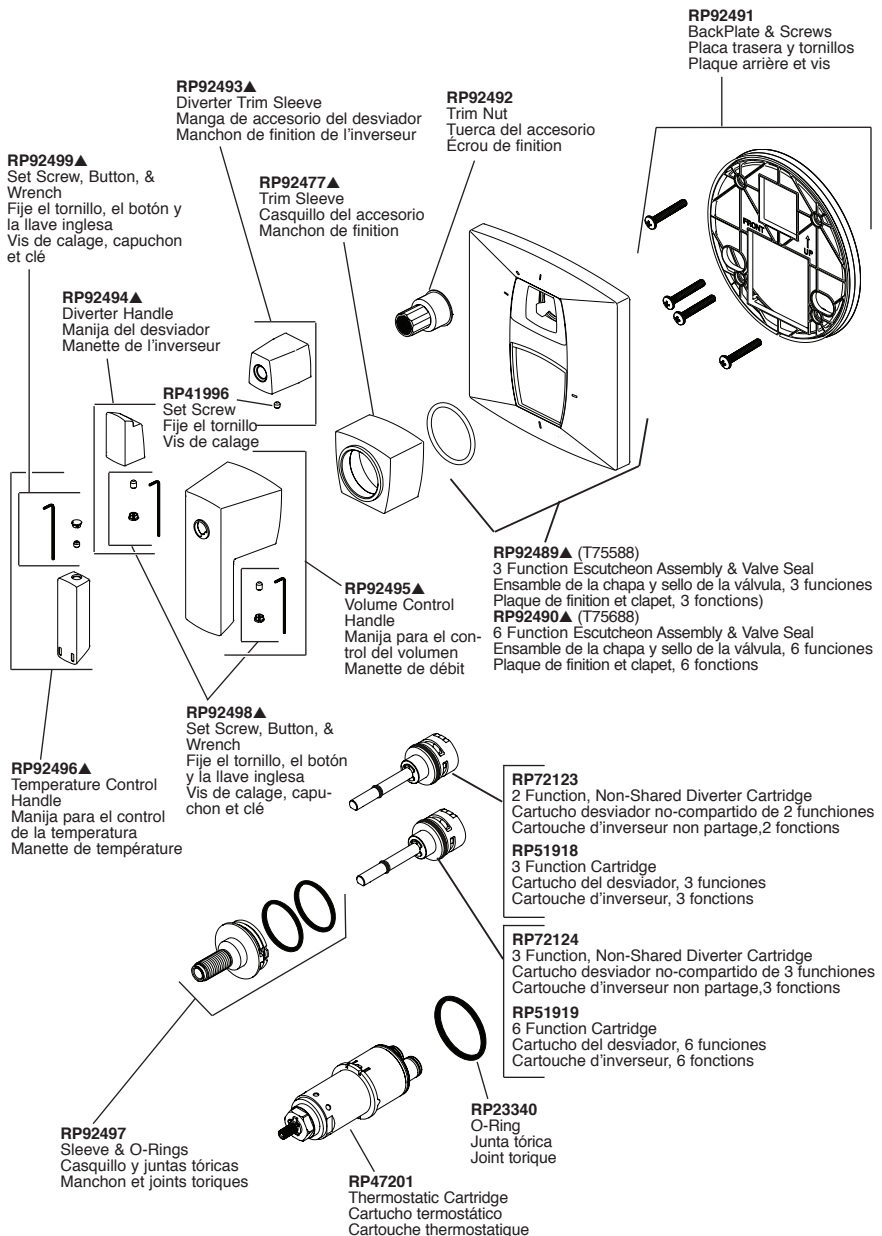


** Shared positions do not exist in non-shared cartridges.

** Los ajustes o posiciones compartidas no existen en los cartuchos no-compartidos.

** Comme leur nom l'indique, les cartouches sans position partagée ne comportent aucune position partagée.

T75588 & T75688 Models / Modelos / Modèles



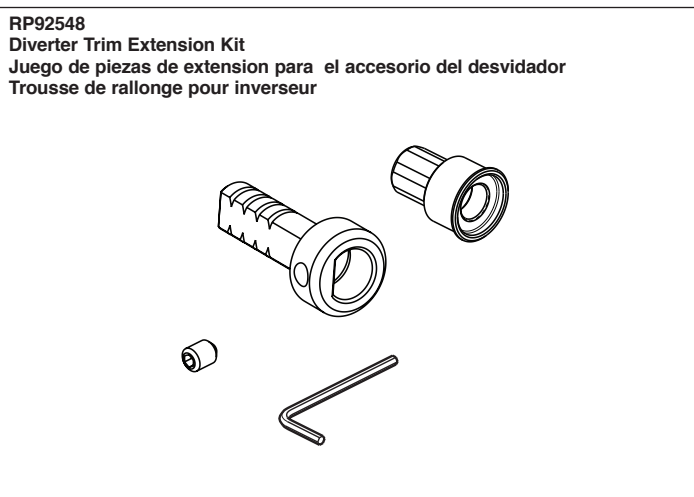
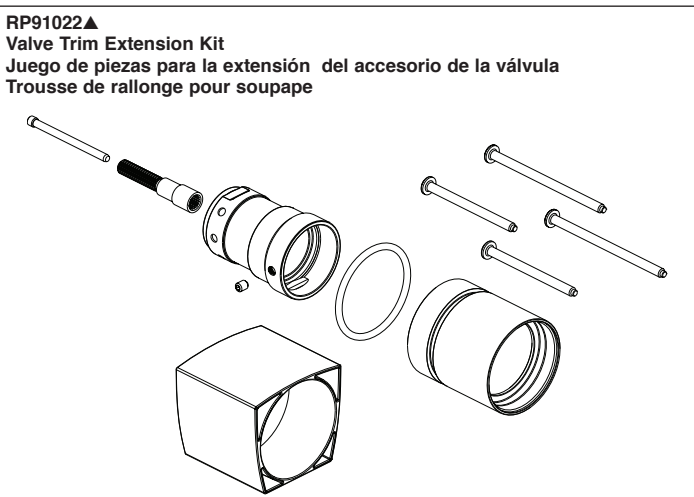
▲ Specify Finish/Especifique el Acabado/ Précisez le fini

Thick Wall Installation Kits (Not included)
Juego de piezas para la instalación en paredes gruesas (no incluido)
Trousse d'installation pour mur épais (Non incluse)

Both RP's required for extension kit. Provides up to 1" extension.

Ambas RPs son necesarias para el juego de extensión. Proporciona una extensión de hasta 1".

Les deux trousse de rallonge RP sont requises. Elles procurent un dégagement supplémentaire de 1 po.



▲ Specify Finish/Especifique el Acabado/ Précisez le fini

Brizo Kitchen & Bath Company
Product Service
55 E. 111th Street
Indianapolis, IN 46280