

American Standard

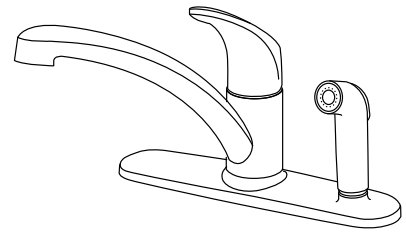
INSTALLATION INSTRUCTIONS

COLONY® PRO Single Control Kitchen Faucet With Side Spray

Thank you for selecting American Standard...
the benchmark of fine quality for over 100 years.

To ensure that your installation proceeds smoothly—please read these instructions carefully before you begin.

7074.000
7074.010
7074.020
7074.030
7074.040



Certified to comply with ANSI A112.18.1M

RECOMMENDED TOOLS



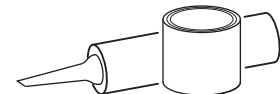
Phillips Screwdriver



Channel Locks



Adjustable Wrench

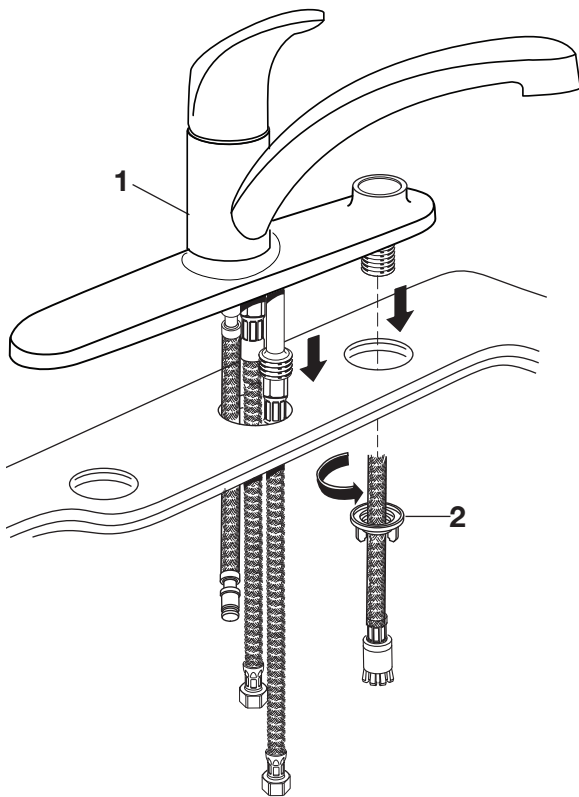


Plumbers' Putty or Caulking

1 INSTALL FAUCET

CAUTION Turn off water at main supply

- Install FAUCET (1) on sink. (No sealant is required unless mounting deck on SINK is uneven)
- Secure FAUCET (1) with ATTACHMENT NUT (2) supplied. (HAND TIGHTEN).

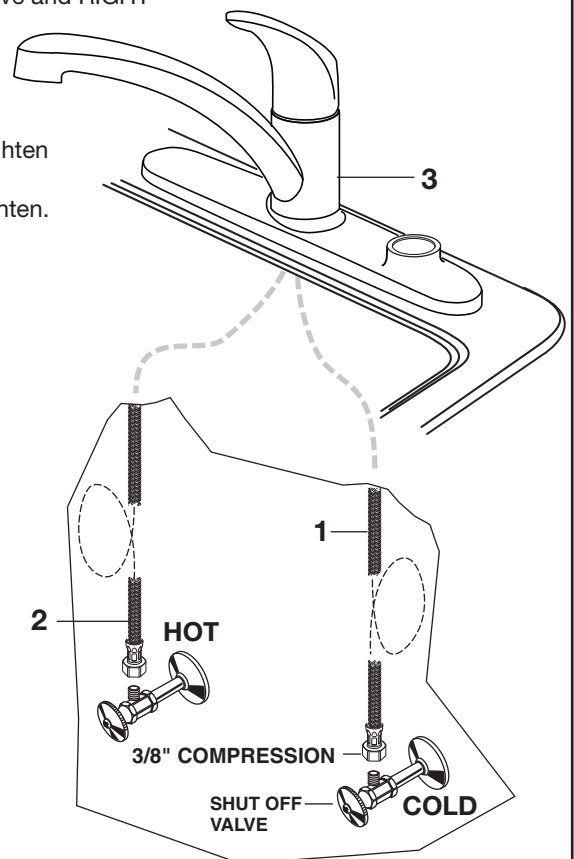


2 WATER SUPPLY CONNECTIONS

- **NOTE:** FLEXIBLE HOSES (1, 2) on FAUCET (3) are (24") in length from base of faucet. If longer supply length is required installer must purchase adapters and additional supplies to complete connections. **FLEXIBLE HOSES MAY BE REMOVED IF USE OF 3/8" O.D. BULL-NOSE RISERS IS REQUIRED.**

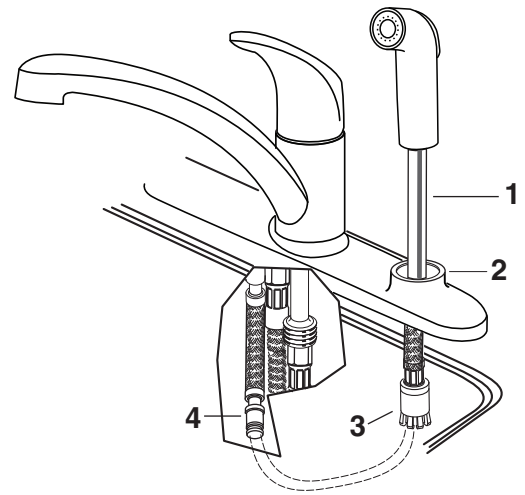
IMPORTANT: If SUPPLY HOSES (1, 2) are to long, loop as illustrated to avoid kinking. (Do not cut Flexible Hoses 1, 2)

- Connection on FLEXIBLE HOSES (1, 2) are 3/8" compression. Connect LEFT SUPPLY (1) to Hot shut off valve and RIGHT SUPPLY (2) to Cold shut off valve.
- Use adjustable wrenches to tighten connections. Do not over tighten.



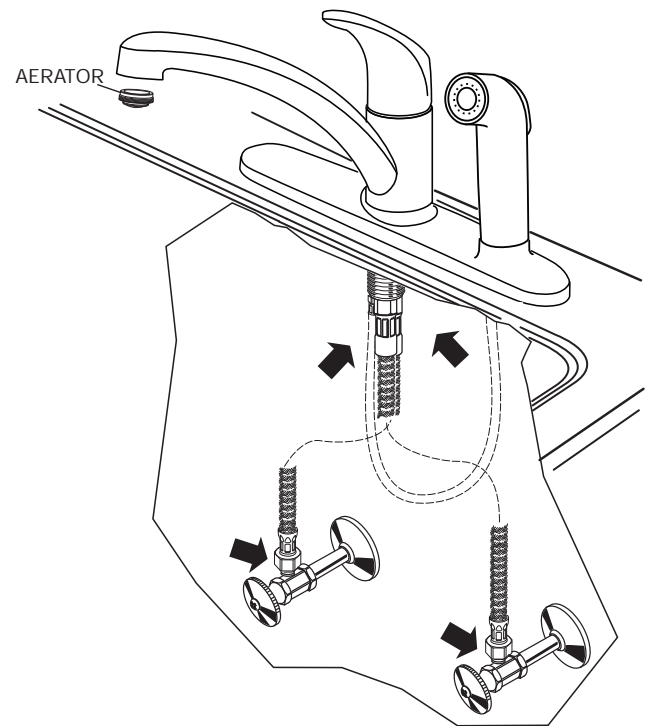
3 FITTING WITH SPRAY

- Feed SPRAY HOSE (1) through SPRAY HOLDER (2) and attach COUPLING NUT (3) of HOSE (1) to HOSE ADAPTOR (4).



4 CONNECT SPRAY HOSE & INSTALL WEIGHTS

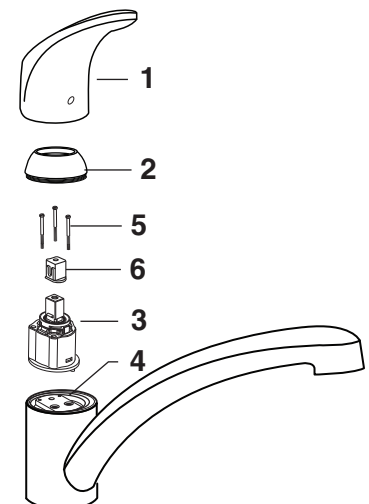
- Remove AERATOR. With handles in OFF position, turn on water supplies and check all connections for leaks.
- Operate both HANDLES to flush water lines thoroughly. Rotate SPOUT in both directions. Replace AERATOR.
- Direct SPRAY HEAD into sink and activate SPRAY. Check HOSE connections for leaks.



5 SERVICE

If faucet drips proceed as follows:

- Turn VALVE in OFF position.
- If faucet drips, operate handle several times from “off” to “on”. Do not apply excessive force.
- Clogged CARTRIDGE inlets may cause reduced flow in “full on” hot or cold. To clean inlets, first turn off water supply, then:
 - Remove HANDLE (1), CAP (2), MOUNTING SCREWS (5), ADAPTER (6), and CARTRIDGE (3). Clean inlets and MANIFOLD (4). Reassemble CARTRIDGE (3), alternately tightening screws. Replace CAP and HANDLE. Check flow.



American Standard

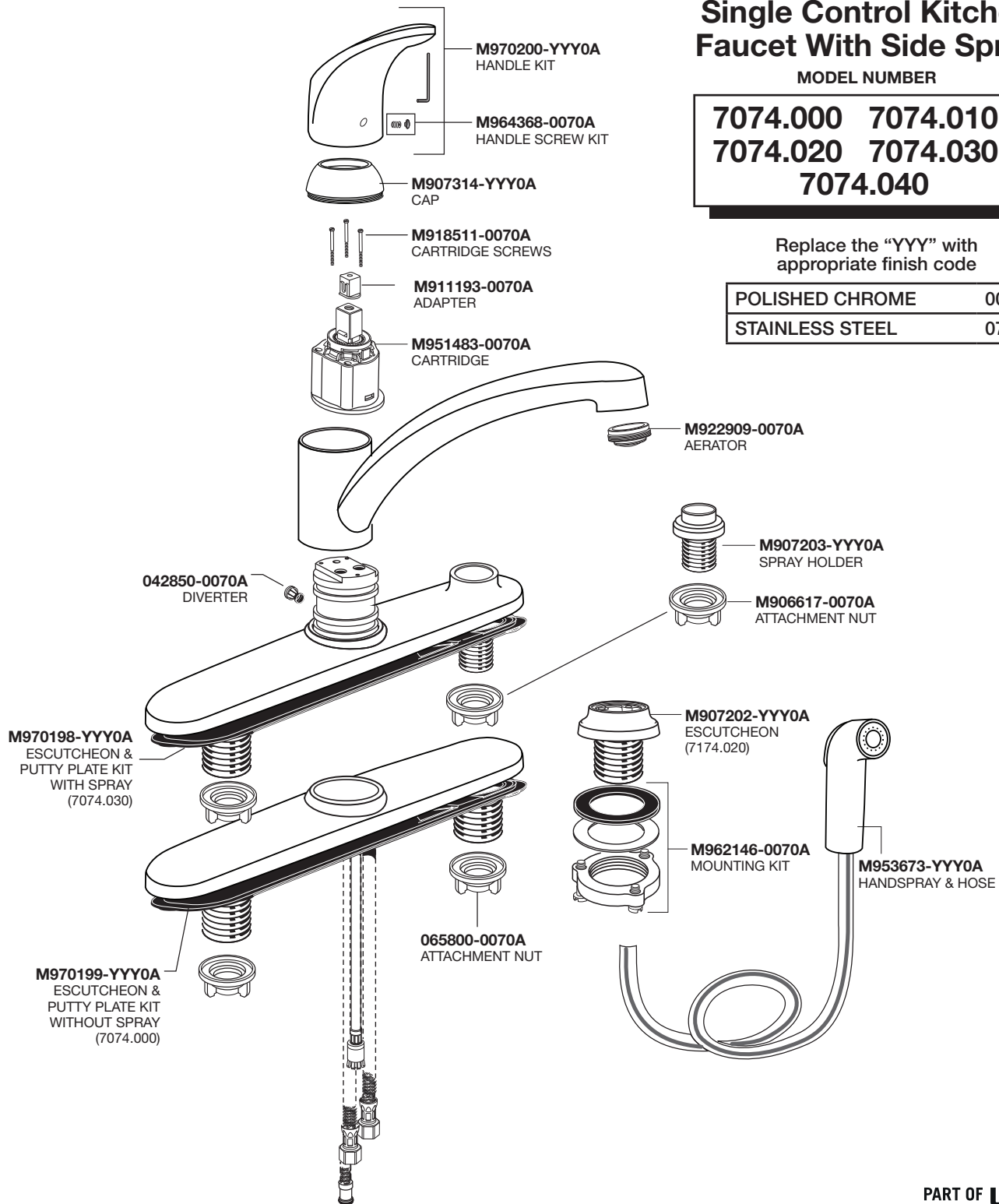
COLONY® PRO Single Control Kitchen Faucet With Side Spray

MODEL NUMBER

7074.000	7074.010
7074.020	7074.030
7074.040	

Replace the "YYY" with
appropriate finish code

POLISHED CHROME	002
STAINLESS STEEL	075



PART OF **LIXIL**

CARE INSTRUCTIONS:

DO: SIMPLY RINSE THE PRODUCT CLEAN WITH CLEAR WATER.
DRY WITH A SOFT COTTON FLANNEL CLOTH.

DO NOT: DO NOT CLEAN THE PRODUCT WITH SOAPS, ACID, POLISH,
ABRASIVES, HARSH CLEANERS,
OR A CLOTH WITH A COARSE SURFACE.

HOT LINE FOR HELP

For toll-free information and answers to your questions,
call: 1-800-442-1902

Mon. - Fri. 8:00 a.m. to 8:00 p.m. EST
Saturday 10:00 a.m. to 4:00 p.m. EST

IN CANADA 1-800-387-0369
(TORONTO 1-905-306-1093)

Weekdays 8:00 a.m. to 7:00 p.m. EST

IN MEXICO 01-800-839-1200

